

Submittal

Job _____
 Location _____
 Submitted to _____
 Submittal Prepared by _____
 Approve Date _____
 Date _____

Fire Damper Series 05 Type B

S
C
E
P
S

UL Classified - **3 Hour Rating**, Static
 For use in installations rated 3 hours or greater

Standard Profile (4¼") 22 Ga
 1 piece rollformed frame

Type B Damper
 Blades out of air-stream

Available for vertical and horizontal installations

Standard fusible link - 165° F (optional 212° F)

Available in stainless steel

Available in single-section sizes from

Vertical 4" x 3" to 60" x 54"

Horizontal 4" x 3" to 40" x 54"

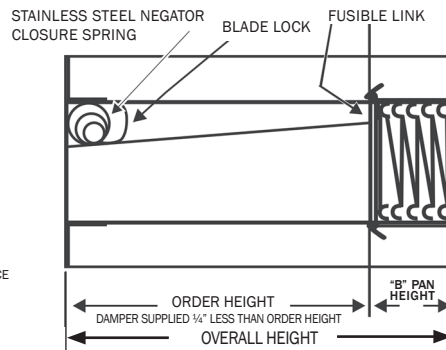
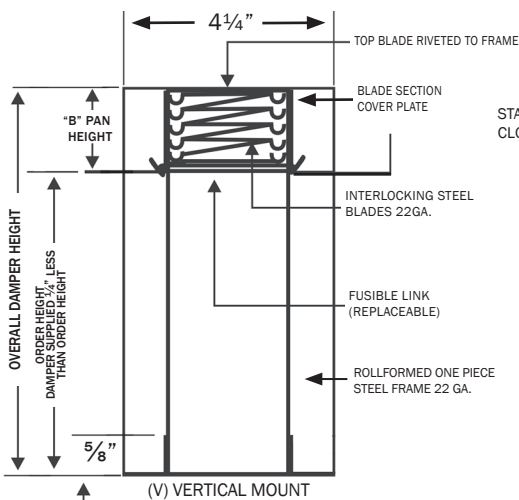
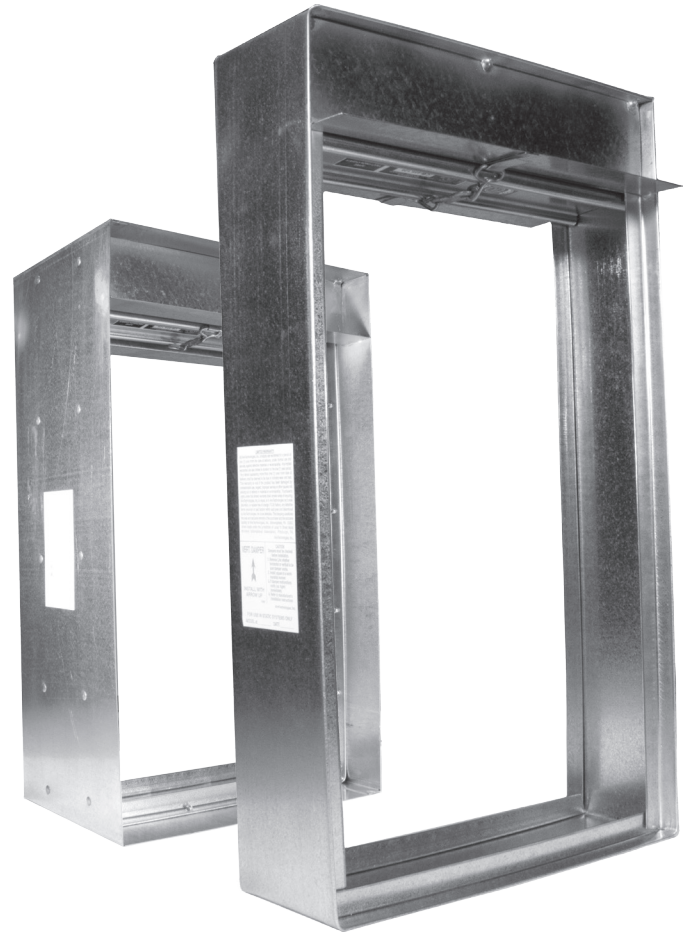
Multi-section sizes

Vertical 120" x 114"

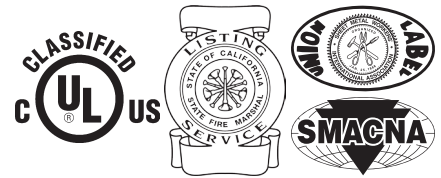
Horizontal 120" x 54" or 80" x 84"

Optional 22 Ga Sleeve available:

8", 12", 17", 20", or 24" lengths (12" is standard)



(H) HORIZONTAL MOUNT
 HORIZONTAL MOUNTING MODELS INCLUDES
 STAINLESS STEEL NEGATOR SPRINGS AND BLADE LOCKS



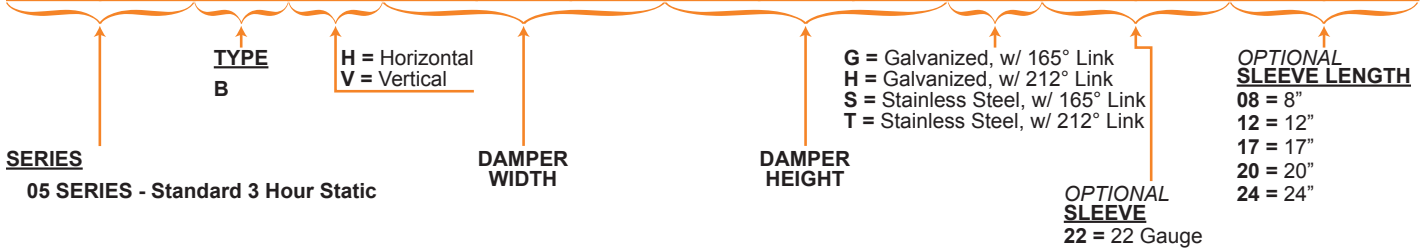
This product meets the requirements
 for fire dampers established by:

UL Standards 555
NFPA Standard 90A
ICC Building Codes

Qty.	Mount	Damper Size		Fusible Link Temp (165°F) std.	Factory Sleeve Length
	(V) vertical (H) horizontal	W	H		

Part Number Format

0 5 B H 0 2 4 0 1 8 G 2 2 1 2



Submittal



AireTechnologies, Inc.
a DMI company

AireTechnologies, Inc.
1502 Industrial Drive
E. Monongahela, PA 15063

phone: 866.421.AIRE
fax 724.310.1262

www.airetechnologies.com