

# submittal

Job \_\_\_\_\_  
 Location \_\_\_\_\_  
 Submitted to \_\_\_\_\_  
 Submittal Prepared by \_\_\_\_\_  
 Approve Date \_\_\_\_\_  
 Date \_\_\_\_\_

UL Classified - For use in non-combustible installations rated 3 hours or less.

22 Ga 1 piece rollformed frame.

Standard fusible link - 165° F (optional 212° F)

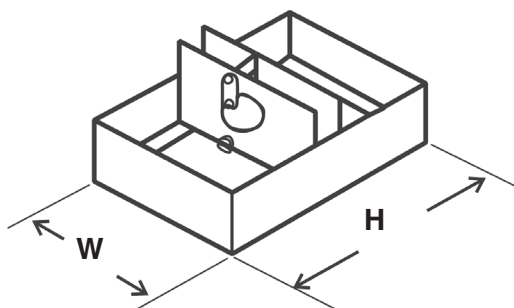
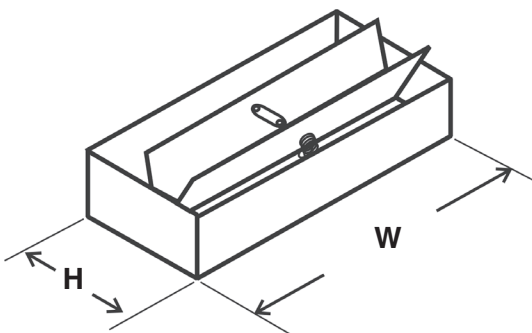
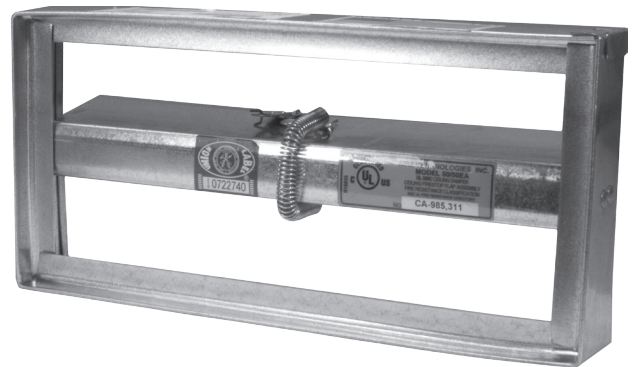
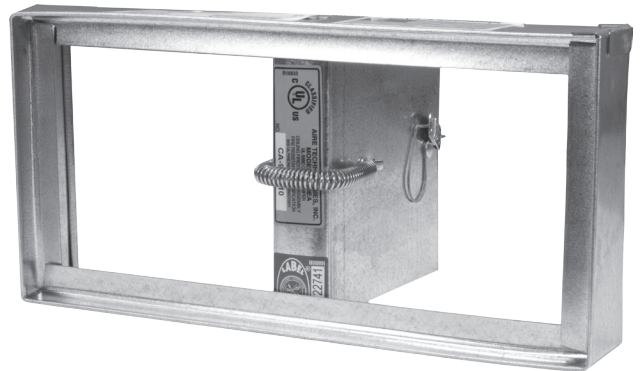
Standard Link attachment or  
Easy Access option

Ceramic Thermal Blanket provided on units with blade areas of greater than 84 sq. in.

Available in stainless steel

Available in single-section sizes  
from 4" x 6" or 6" x 4" to 24" x 24"

## CRD Series 50 Rectangular



This product meets the requirements for ceiling dampers established by:

**UL Standard 555C**  
**NFPA Standard 90A**  
**ICC Building Codes**

Qty.	Damper Size		Fusible Link Temp (165°F) std.
	W	H	

## Part Number Format



**MODEL**

50 SERIES - CRD, RECTANGULAR, 3 Hour

**METHOD OF LINK ATTACHMENT**

SL - STANDARD LINK  
EA - EASY ACCESS LINK

DAMPER  
WIDTH

DAMPER  
HEIGHT

**MATERIAL & LINK TEMP.**

G - GALVANIZED, W/165° LINK  
H - GALVANIZED, W/212° LINK  
S - STAINLESS STEEL, W/165° LINK  
T - STAINLESS STEEL, W/212° LINK

# Submittal



**AireTechnologies, Inc.**  
a DMI company

AireTechnologies, Inc.  
1502 Industrial Drive  
E. Monongahela, PA 15063

phone: 866.421.AIRE  
fax 724.310.1262

[www.airetechnologies.com](http://www.airetechnologies.com)