

submittal

Job _____
 Location _____
 Submitted to _____
 Submittal Prepared by _____
 Approve Date _____
 Date _____

CRD Series 51 Single Blade

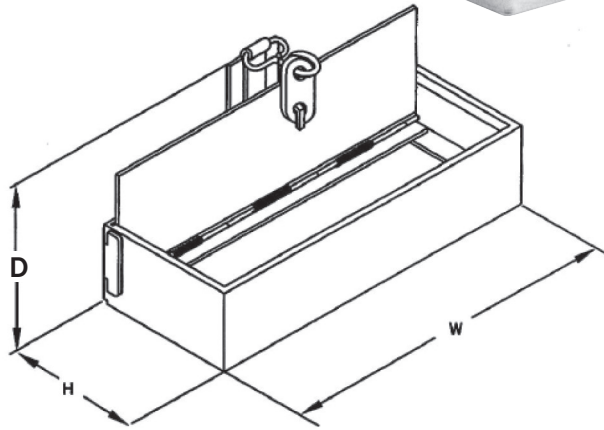
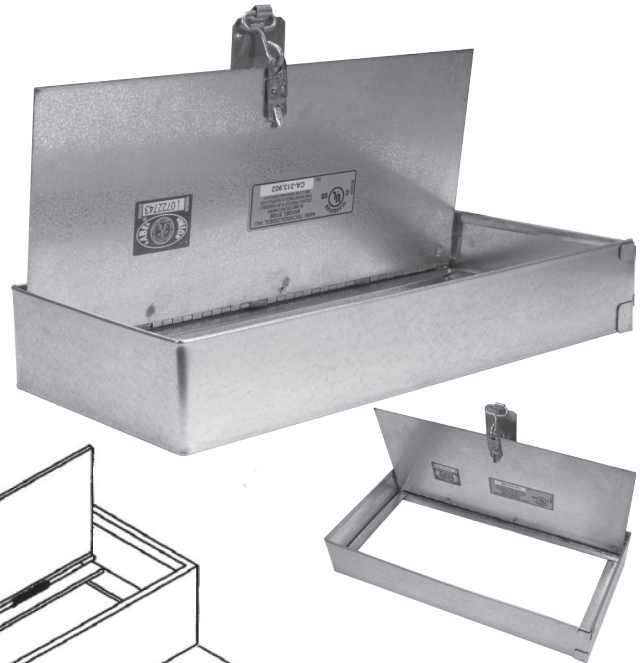
UL Classified - For use in non-combustible installations rated 3 hours or less

22 Ga 1 piece rollformed frame.

Standard fusible link - 165° F (optional 212° F)

Available in stainless steel

Available in sizes
6" x 4" to 24" to 12"



$$D = H + 1\frac{1}{2}''$$

S
C
E
P
S



This product meets the requirements for ceiling dampers established by:

UL Standard 555C
NFPA Standard 90A
ICC Building Codes

Qty.	Damper Size		Fusible Link Temp (165°F) std.
	W	H	

Part Number Format

5 1 S B 0 6 1 0 G

MODEL

51 SERIES - CRD, RECTANGULAR, SINGLE BLADE, 3 Hour

TYPE OF BLADE

SB - SINGLE BLADE

DAMPER WIDTH

DAMPER HEIGHT

MATERIAL & LINK TEMP.

G - GALVANIZED, W/165° LINK
H - GALVANIZED, W/212° LINK
S - STAINLESS STEEL, W/165° LINK
T - STAINLESS STEEL, W/212° LINK

Submittal



AireTechnologies, Inc
a DMI company

AireTechnologies, Inc.
1502 Industrial Drive
E. Monongahela, PA 15063

phone: 866.421.AIRE
fax 724.310.1262

www.airetechnologies.com