

submittal

Job _____
 Location _____
 Submitted to _____
 Submittal Prepared by _____
 Approve Date _____
 Date _____

CRD Series 58 DC & EAC

UL Classified (UL 263) - For use in wood truss floor/ceiling assemblies rated 1 hour

Approved UL **L-587**, **L-528**, and **P-556**, designs

Incorporates UL 555C evaluated ceiling damper
 For use in duct drop applications with round inlet

22 Ga CRD frame and blades

Field installed 1½" R-6 or 2" R-8
Ductboard not included (58EAC)

Factory installed 1½" R-6 or 2" R-8
Ductboard included (58DC)

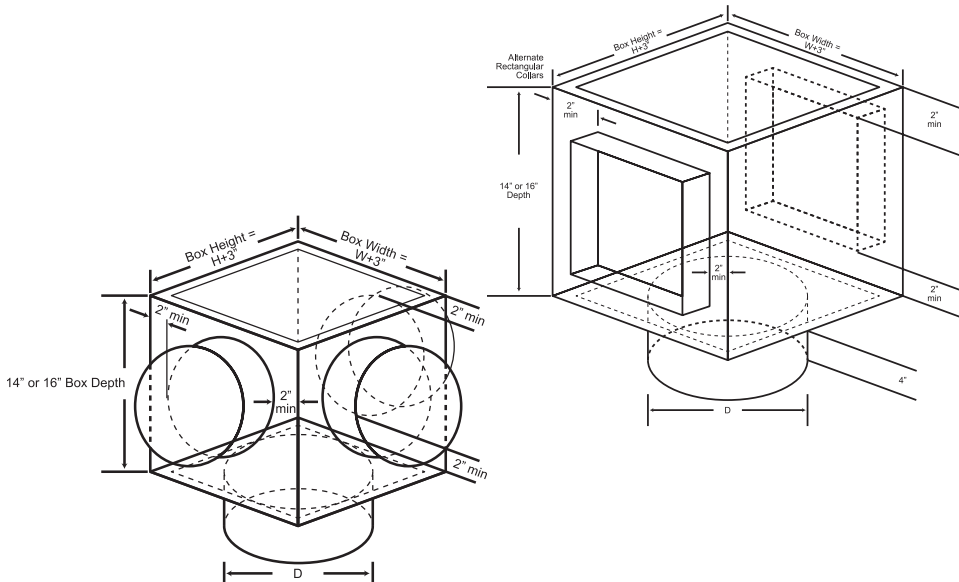
Standard fusible link - 165° F (optional 212° F)

Ceramic thermal blanket provided on units with CRD areas greater than 84 square inches

Available in range of sizes from
 6" diameter to 14" diameter



S
C
E
P
S



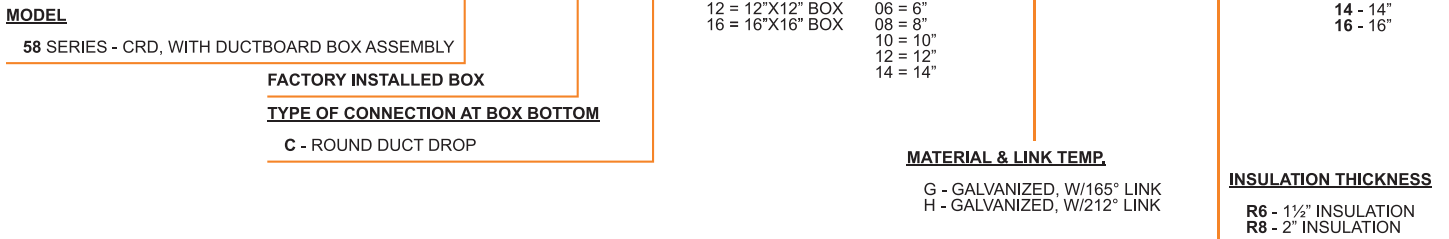
This product meets the requirements for ceiling dampers established by:

UL Standards 263 & 555C
NFPA Standard 90A
ICC Building Codes

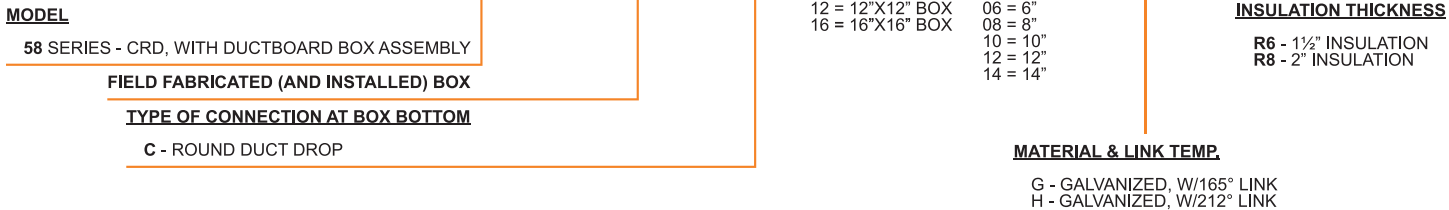
Qty.	Damper Opening		Fusible Link Temp (165° std.)	Factory Installed Ductboard Box	
	W	H		Insulation	Box Height

Part Number Format

5 8 D C 1 2 1 0 G 1 R 6 1 6



5 8 E A C 1 2 1 0 G 1 R 6



Submittal



Aire Technologies, Inc.
a DMI company

Aire Technologies, Inc.
1502 Industrial Drive
E. Monongahela, PA 15063

phone: 866.421.AIRE
fax 724.310.1262

www.airetechnologies.com