

# Submittal

Job \_\_\_\_\_  
 Location \_\_\_\_\_  
 Submitted to \_\_\_\_\_  
 Submittal Prepared by \_\_\_\_\_  
 Approve Date \_\_\_\_\_  
 Date \_\_\_\_\_

## Fire Damper Series 65 Type B

UL Classified - 1½ Hour Rating, Static  
 For use in installations rated less than 3 hours

**Thinline Profile (2") 22 Ga**  
 1 piece rollformed frame

Type B Damper  
 Blades out of air-stream

Available for vertical and horizontal installations

Standard fusible link - 165° F (optional 212° F)

Available in stainless steel

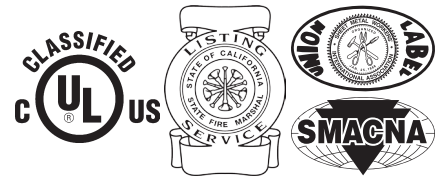
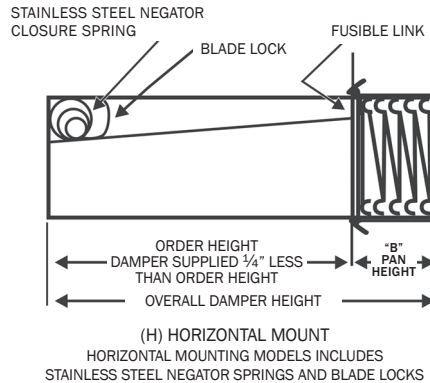
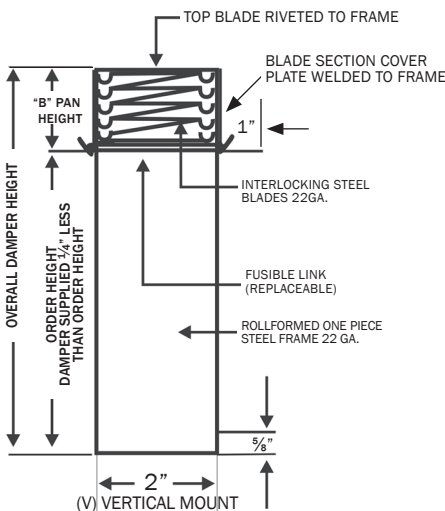
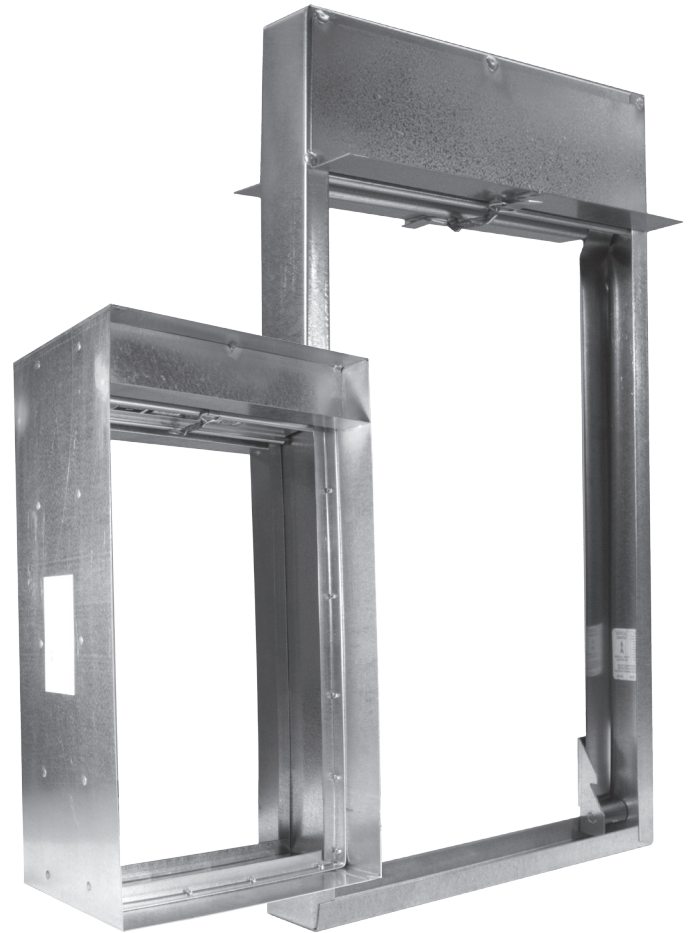
Available in single-section sizes from

Vertical - 4" x 3" to 48" x 41"

Horizontal - 4" x 3" to 36" x 30"

Optional 22 Ga Sleeve available:

8", 12", 17", 20", or 24" lengths (12" is standard)

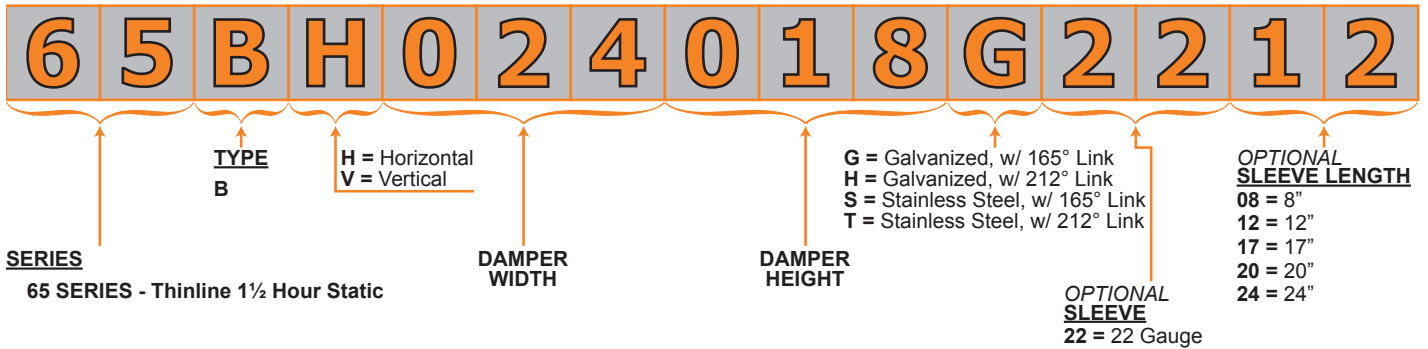


This product meets the requirements for fire dampers established by:

**UL Standards 555**  
**NFPA Standard 90A**  
**ICC Building Codes**

Qty.	Mount	Damper Size		Fusible Link Temp (165°F) std.	Factory Sleeve Length
	(V) vertical (H) horizontal	W	H		

## Part Number Format



# Submittal



**AireTechnologies, Inc.**  
a DMI company

AireTechnologies, Inc.  
1502 Industrial Drive  
E. Monongahela, PA 15063

phone: 866.421.AIRE  
fax 724.310.1262

[www.airetechnologies.com](http://www.airetechnologies.com)