

Submittal

Job _____
 Location _____
 Submitted to _____
 Submittal Prepared by _____
 Approve Date _____
 Date _____

Available in single-section sizes
 from 8" x 8" to 60" x 60"

Standard Construction:

Frame:
 1pc, 16 Gauge galvanized steel, 5" x 1" channel
 frame construction with die-formed corner gussets

Blades:
 16 Gauge galvanized 3 "V" formed
 Parallel or Opposed closure action

Bearings:
 Nylon, (standard)
 Sintered bronze, oil impregnated (optional)

Axles:
 ½" Square zinc plated steel

Linkage:
 Zinc plated steel concealed in the channel frame

Finish:
 Mill galvanized

Optional Components

Blade Seals:
 Neoprene blade seals

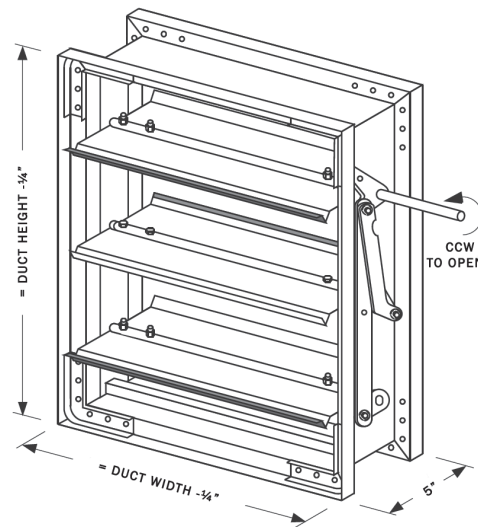
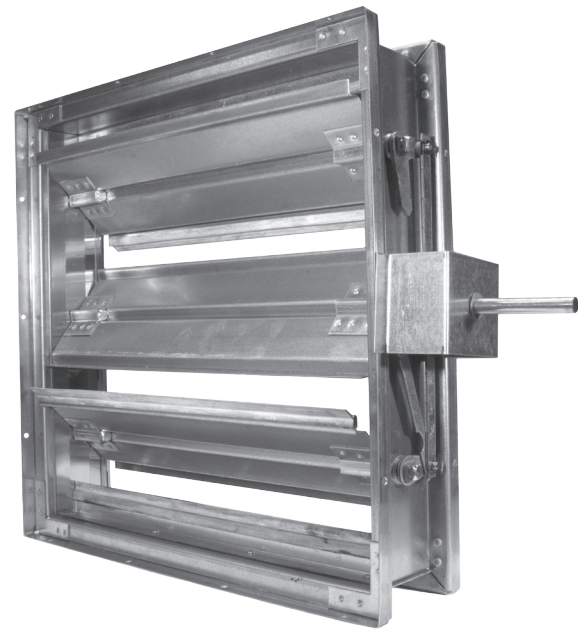
Jamb Seals:
 Compression type, stainless steel

Extended Shafts:
 3" = Series 80
 6" = Series 81
 11" = Series 82

Parallel or Opposed Blades

Actuator - shipped loose and field installed

Air Control Damper Series 80

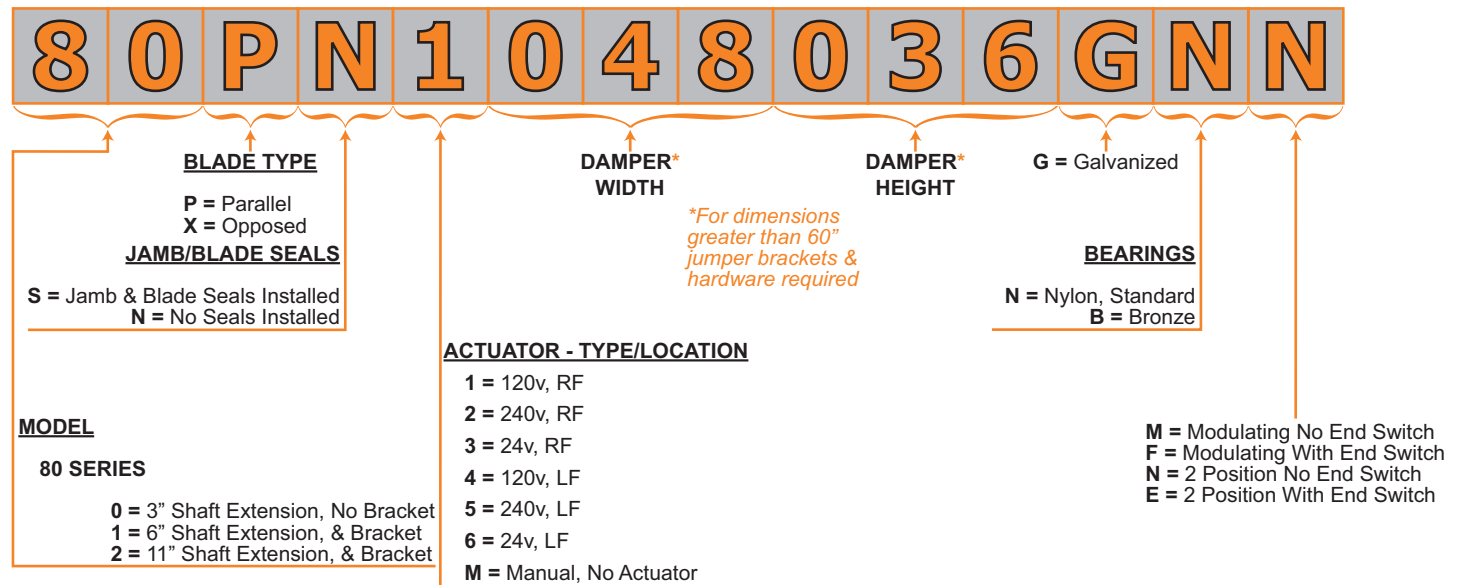


S
C
E
P
S



Qty.	Shaft Extension	Jamb & Blade Seals	Actuator	Damper Size		Blade Type P=Parallel X=Opposed
				W	H	

Part Number Format



Submittal



AireTechnologies, Inc
a DMI company

AireTechnologies, Inc.
1502 Industrial Drive
E. Monongahela, PA 15063

phone: 866.421.AIRE
fax 724.310.1262

www.airetechnologies.com