

# submittal

Job \_\_\_\_\_  
 Location \_\_\_\_\_  
 Submitted to \_\_\_\_\_  
 Submittal Prepared by \_\_\_\_\_  
 Approve Date \_\_\_\_\_  
 Date \_\_\_\_\_

## Fire Damper Series 05 Type A

S  
C  
E  
P  
S

UL Classified - **3 Hour Rating**, Static  
 For use in installations rated 3 hours or greater

Standard Profile (4¼") 22 Ga  
 1 piece rollformed frame

Type A Damper  
 Blades in air-stream

Available for vertical and horizontal installations

Standard fusible link - 165° F (optional 212° F)

Available in stainless steel

Available in single-section sizes

4" x 4" to 60" x 60" vertical

4" x 4" to 40" x 60" horizontal

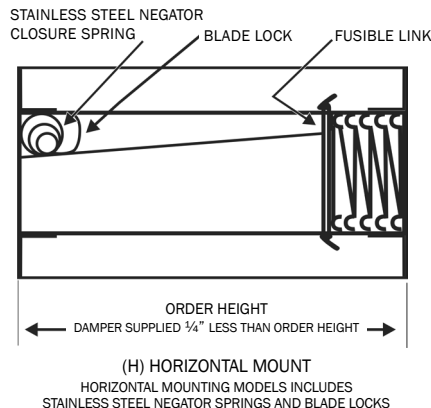
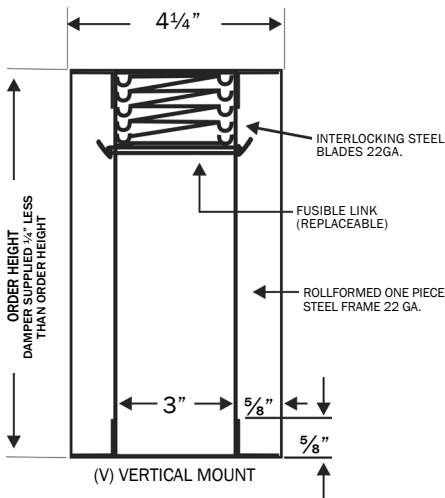
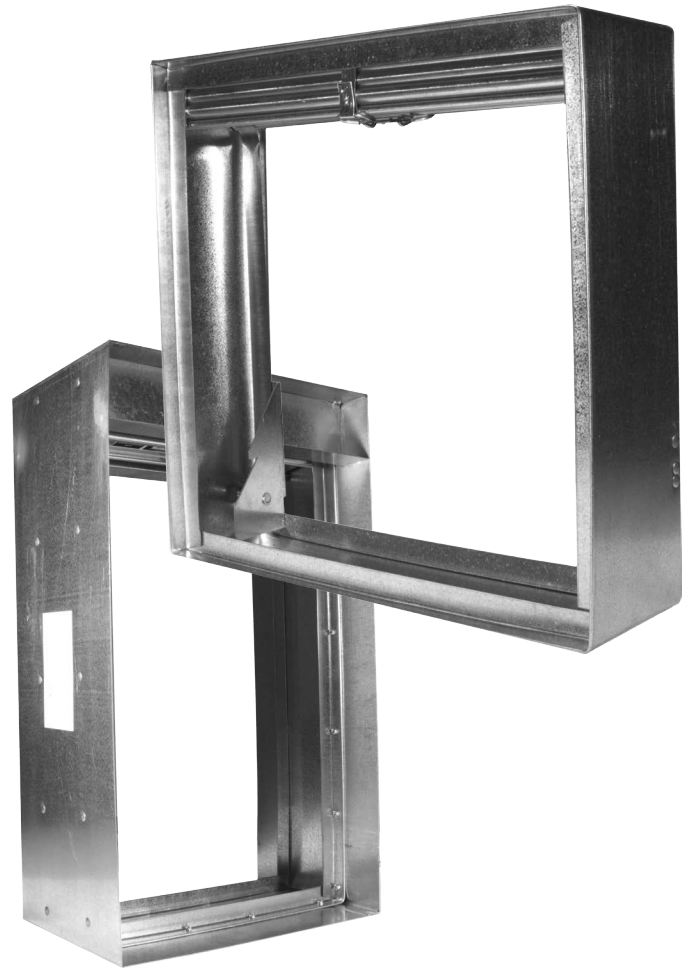
Multi-section sizes

120" x 120" vertical

120" x 60" or 80" x 96" horizontal

Optional 22 Ga Sleeve available:

8", 12", 17", 20", or 24" lengths (12" is standard)

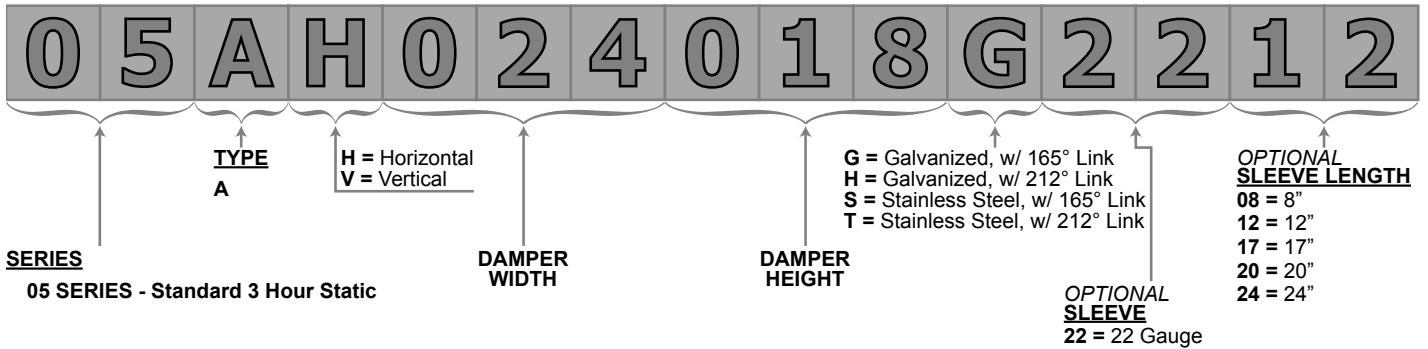


This product meets the requirements for fire dampers established by:

**UL Standards 555**  
**NFPA Standard 90A**  
**ICC Building Codes**

Qty.	Mount	Damper Size		Fusible Link Temp (165°F) std.	Factory Sleeve Length
	(V) vertical (H) horizontal	W	H		

## Part Number Format



# Submittal



**AireTechnologies, Inc.**  
a DMI company

AireTechnologies, Inc.  
1502 Industrial Drive  
E. Monongahela, PA 15063

phone: 866.421.AIRE  
fax 724.310.1262

www.airetechnologies.com