

# submittal

Job \_\_\_\_\_  
 Location \_\_\_\_\_  
 Submitted to \_\_\_\_\_  
 Submittal Prepared by \_\_\_\_\_  
 Approve Date \_\_\_\_\_  
 Date \_\_\_\_\_

## Fire Damper Series 05 Type C

UL Classified - **3 Hour Rating**, Static  
 For use in installations rated 3 hours or greater

Standard Profile (4¼") 22 Ga  
 1 piece rollformed frame

Type C Damper  
 Blades and frame out of air-stream, 100% free area

Available for vertical and horizontal installations

Standard fusible link - 165° F (optional 212°F)

Available in stainless steel

Available in single-section sizes to 60" x 60"

Duct sizes 4" to 53" Ø vertical

4" to 38" horizontal

Oval and rectangular collars from

4" x 4" to 58" x 52" vertical

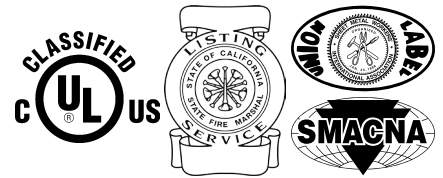
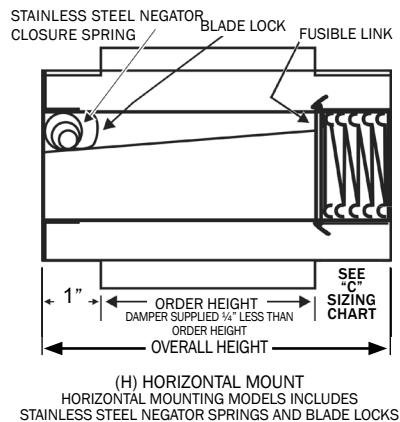
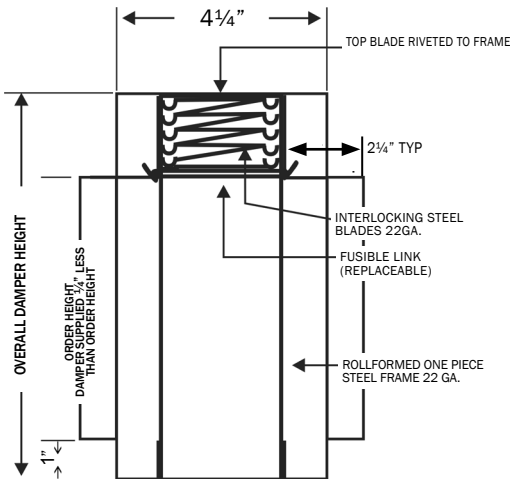
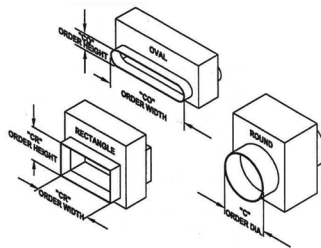
4" x 4" to 38" x 52" horizontal

Optional 22 Ga Sleeve available:

8", 12", 17", 20", or 24" lengths (12" is standard)



S  
C  
E  
P  
S

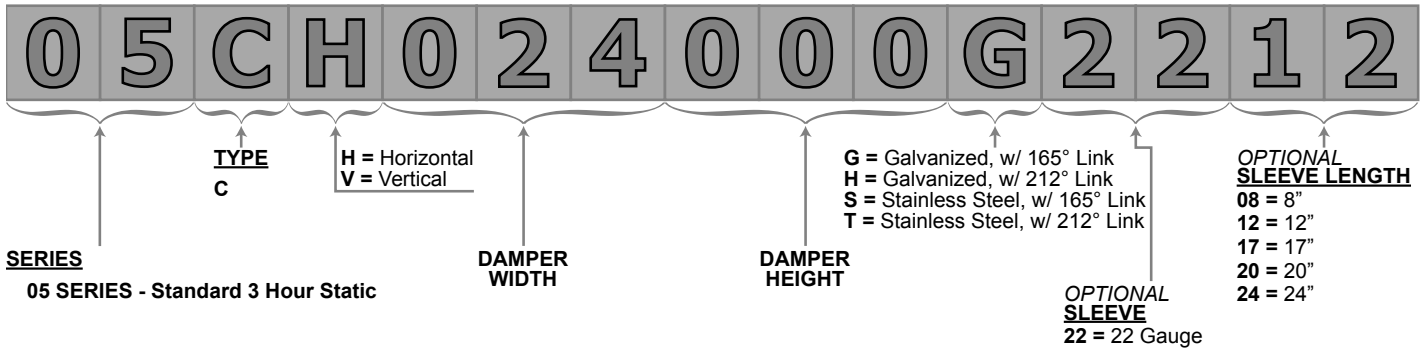


This product meets the requirements for fire dampers established by:

**UL Standards 555**  
**NFPA Standard 90A**  
**ICC Building Codes**

Qty.	Mount	Damper Diameter	Fusible Link Temp (165°F) std.	Factory Sleeve Length
	(V) vertical (H) horizontal			

## Part Number Format



# submittal



**AireTechnologies, Inc.**  
a DMI company

AireTechnologies, Inc.  
1502 Industrial Drive  
E. Monongahela, PA 15063

phone: 866.421.AIRE  
fax 724.310.1262

www.airetechnologies.com