

# submittal

Job \_\_\_\_\_  
 Location \_\_\_\_\_  
 Submitted to \_\_\_\_\_  
 Submittal Prepared by \_\_\_\_\_  
 Approve Date \_\_\_\_\_  
 Date \_\_\_\_\_

## CRD Series 58 DD & EAD

UL Classified (UL 263) - For use in wood truss floor/  
ceiling assemblies rated 1 hour

Approved UL **L-587**, **L-528**, and **P-556**, designs

Incorporates UL 555C evaluated ceiling damper  
For use in duct drop applications

22 Ga CRD frame and blades

Field installed 1½" R-6 or 2" R-8  
**Ductboard not included** (58EAD)

Factory installed 1½" R-6 or 2" R-8  
**Ductboard included** (58DD)

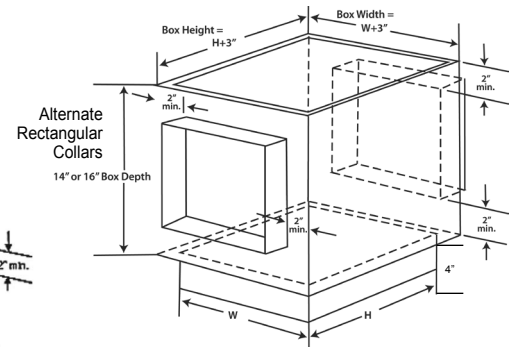
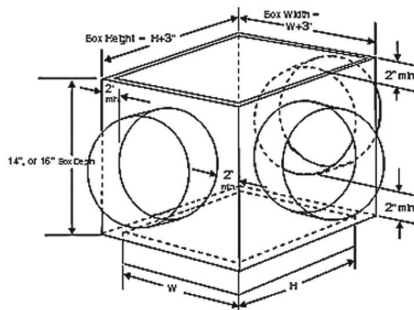
Standard fusible link - 165° F (optional 212° F)

Ceramic thermal blanket provided on units with CRD  
areas greater than 84 square inches

Available in range of sizes from  
4" x 8" to 20" x 16"



S  
C  
E  
P  
S



This product meets the requirements for  
ceiling dampers established by:

**UL Standards 263 & 555C**  
**NFPA Standard 90A**  
**ICC Building Codes**

Qty.	Damper Opening		Fusible Link Temp (165° std.)	Factory Installed Ductboard Box	
	W	H		Insulation	Box Height

## Part Number Format

5 8 D D 1 6 1 2 G 1 R 6 1 6

**MODEL**

58 SERIES - CRD, WITH DUCTBOARD BOX ASSEMBLY

FACTORY INSTALLED BOX

TYPE OF CONNECTION AT BOX BOTTOM

D - DUCT DROP

DAMPER WIDTH

DAMPER HEIGHT

1" FLANGE

BOX HEIGHT

14 - 14"  
16 - 16"

MATERIAL & LINK TEMP.

G - GALVANIZED, W/165° LINK  
H - GALVANIZED, W/212° LINK

INSULATION THICKNESS

R6 - 1½" INSULATION  
R8 - 2" INSULATION

5 8 E A D 0 6 1 0 G 1 R 6

**MODEL**

58 SERIES - CRD, WITH DUCTBOARD BOX ASSEMBLY

FIELD FABRICATED (AND INSTALLED) BOX

TYPE OF CONNECTION AT BOX BOTTOM

D - DUCT DROP

DAMPER WIDTH

DAMPER HEIGHT

1" FLANGE

INSULATION THICKNESS

R6 - 1½" INSULATION  
R8 - 2" INSULATION

MATERIAL & LINK TEMP.

G - GALVANIZED, W/165° LINK  
H - GALVANIZED, W/212° LINK

submittal



**Aire Technologies, Inc.**  
a DMI company

Aire Technologies, Inc.  
1502 Industrial Drive  
E. Monongahela, PA 15063

phone: 866.421.AIRE  
fax 724.310.1262

www.airetechnologies.com