

# submittal

Job \_\_\_\_\_  
 Location \_\_\_\_\_  
 Submitted to \_\_\_\_\_  
 Submittal Prepared by \_\_\_\_\_  
 Approve Date \_\_\_\_\_  
 Date \_\_\_\_\_

## CRD Series 58 DC & EAC

UL Classified (UL 263) - For use in wood truss floor/ceiling assemblies rated 1 hour

Approved UL **L-587**, **L-528**, and **P-556**, designs

Incorporates UL 555C evaluated ceiling damper  
 For use in duct drop applications with round inlet

22 Ga CRD frame and blades

Field installed 1½" R-6 or 2" R-8  
**Ductboard not included** (58EAC)

Factory installed 1½" R-6 or 2" R-8  
**Ductboard included** (58DC)

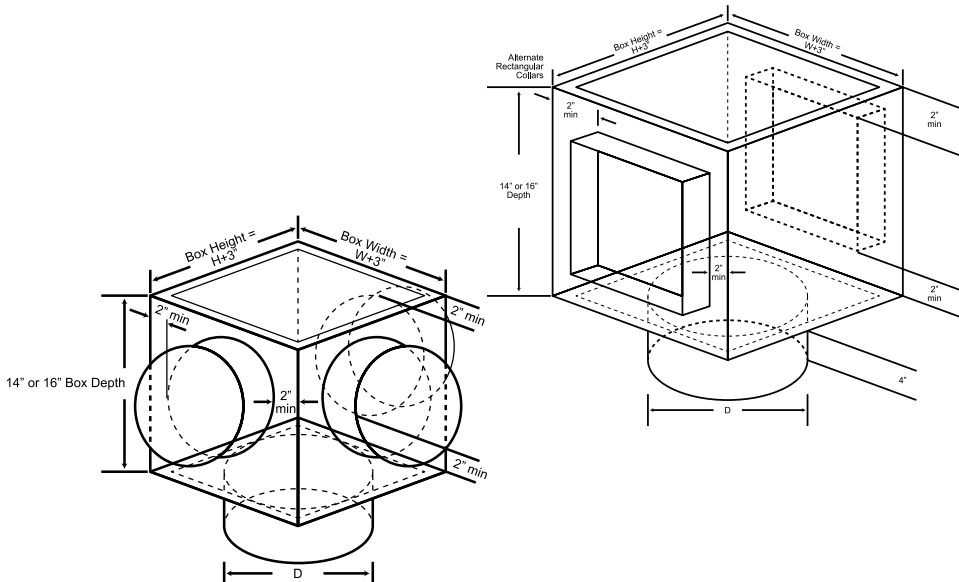
Standard fusible link - 165° F (optional 212° F)

Ceramic thermal blanket provided on units with CRD areas greater than 84 square inches

Available in range of sizes from  
 6" diameter to 14" diameter



S  
C  
E  
P  
S



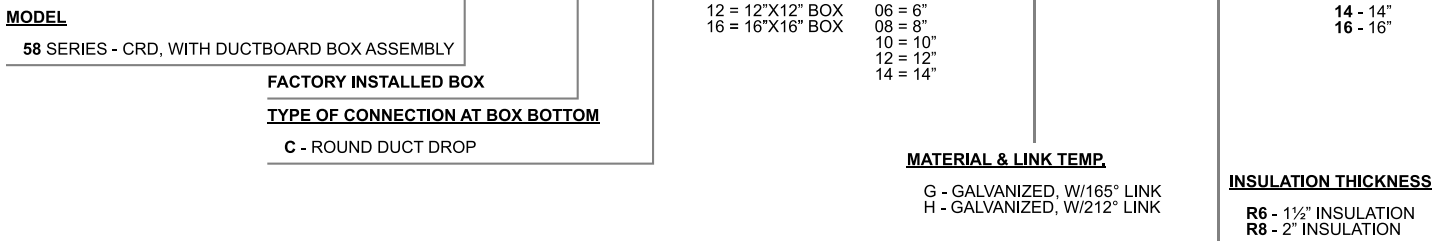
This product meets the requirements for ceiling dampers established by:

**UL Standards 263 & 555C**  
**NFPA Standard 90A**  
**ICC Building Codes**

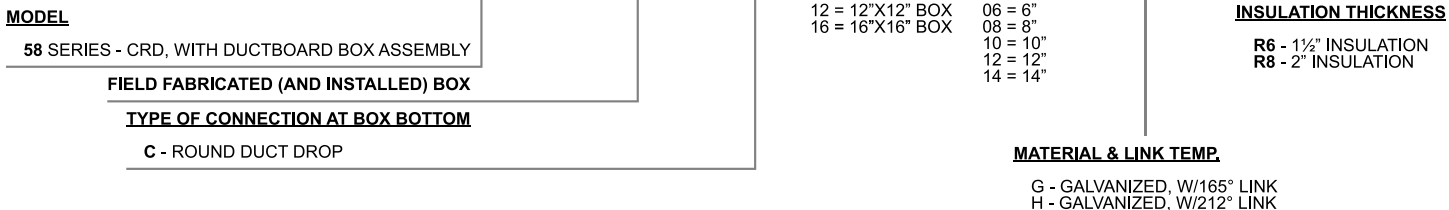
Qty.	Damper Opening		Fusible Link Temp (165° std.)	Factory Installed Ductboard Box	
	W	H		Insulation	Box Height

## Part Number Format

**5 8 D C 1 2 1 0 G 1 R 6 1 6**



**5 8 E A C 1 2 1 0 G 1 R 6**



# submittal



**Aire Technologies, Inc.**  
a DMI company

Aire Technologies, Inc.  
1502 Industrial Drive  
E. Monongahela, PA 15063

phone: 866.421.AIRE  
fax 724.310.1262

www.airetechnologies.com