

# submittal

Job \_\_\_\_\_  
 Location \_\_\_\_\_  
 Submitted to \_\_\_\_\_  
 Submittal Prepared by \_\_\_\_\_  
 Approve Date \_\_\_\_\_  
 Date \_\_\_\_\_

## Fire Damper Series 77 Type B

UL Classified - 1½ Hour Rating, Dynamic  
 For use in installations rated less than 3 hours

Standard Profile (4¼") 22 Ga  
 1 piece rollformed frame

Type B Damper  
 Blades out of air-stream

Available for vertical and horizontal installations

For installation in systems where fans remain running  
 during fire and smoke control

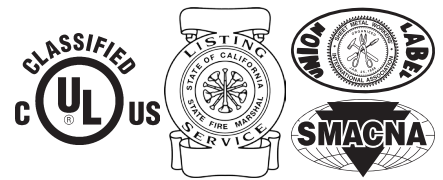
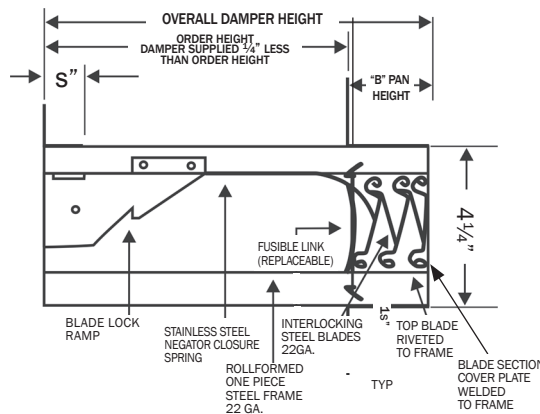
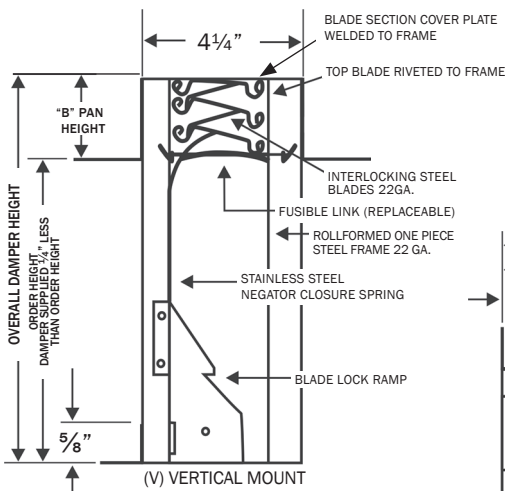
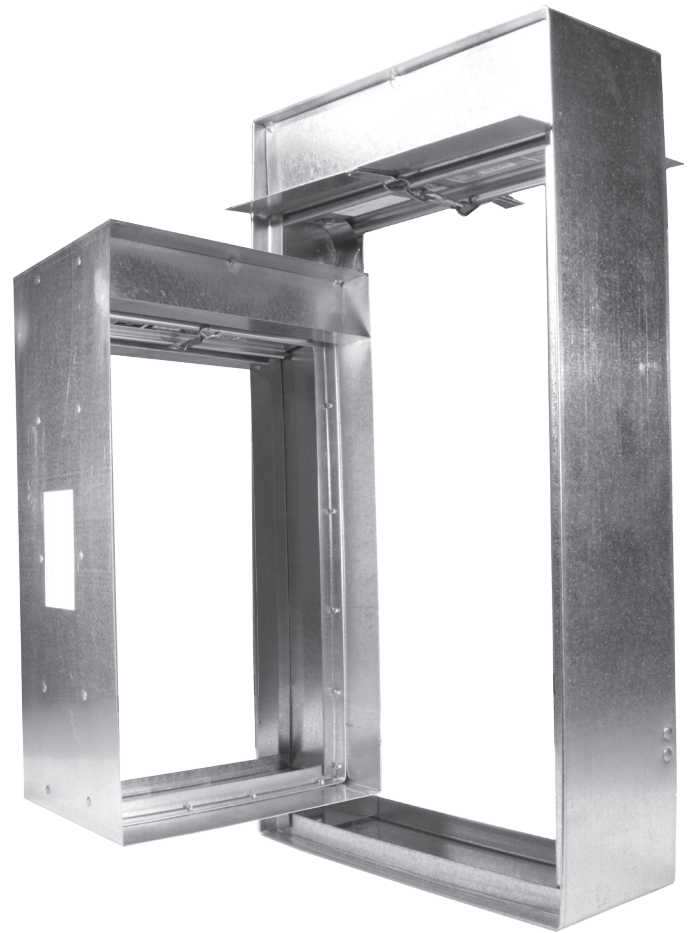
Standard fusible link - 165° F (optional 212° F)

Available in stainless steel

Vertical dampers are available in single-section sizes  
 from 4" x 4" to 36" x 32"

Horizontal dampers are available in single-section sizes  
 from 4" x 4" to 24" x 21"

Optional 22 Ga Sleeve available:  
 8", 12", 17", 20", or 24" lengths (12" is standard)

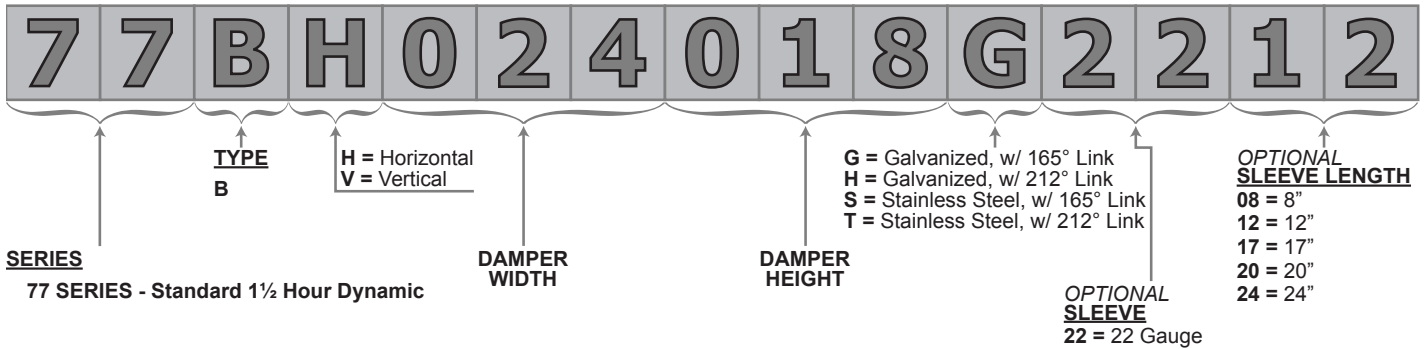


This product meets the requirements  
 for fire dampers established by:

**UL Standards 555**  
**NFPA Standard 90A**  
**ICC Building Codes**

| Qty. | Mount                          | Damper Size |   | Fusible Link Temp<br>(165°F) std. | Factory Sleeve Length |
|------|--------------------------------|-------------|---|-----------------------------------|-----------------------|
|      | (V) vertical<br>(H) horizontal | W           | H |                                   |                       |
|      |                                |             |   |                                   |                       |
|      |                                |             |   |                                   |                       |
|      |                                |             |   |                                   |                       |

## Part Number Format



# Submittal



**Aire Technologies, Inc.**  
a DMI company

Aire Technologies, Inc.  
1502 Industrial Drive  
E. Monongahela, PA 15063

phone: 866.421.AIRE  
fax 724.310.1262

www.airetechnologies.com