



Aire Technologies, Inc.
a DMI company

Aire Technologies, Inc.
1502 Industrial Drive
E. Monongahela, PA 15063

phone: 866.421.AIRE
fax 724.310.1262

www.airetechnologies.com

submittal

Job _____

Location _____

Submitted to _____

Submittal Prepared by _____

Approve Date _____

Date _____

UL Classified - **3 Hour Rating**, Dynamic
For use in installations rated 3 hours or greater

Standard Profile (4¼") 22 Ga
1 piece rollformed frame

Type A Damper
Blades in air-stream

Available for vertical and horizontal installations

For installation in systems where fans remain running
during fire and smoke control

Standard fusible link - 165° F (optional 212° F)

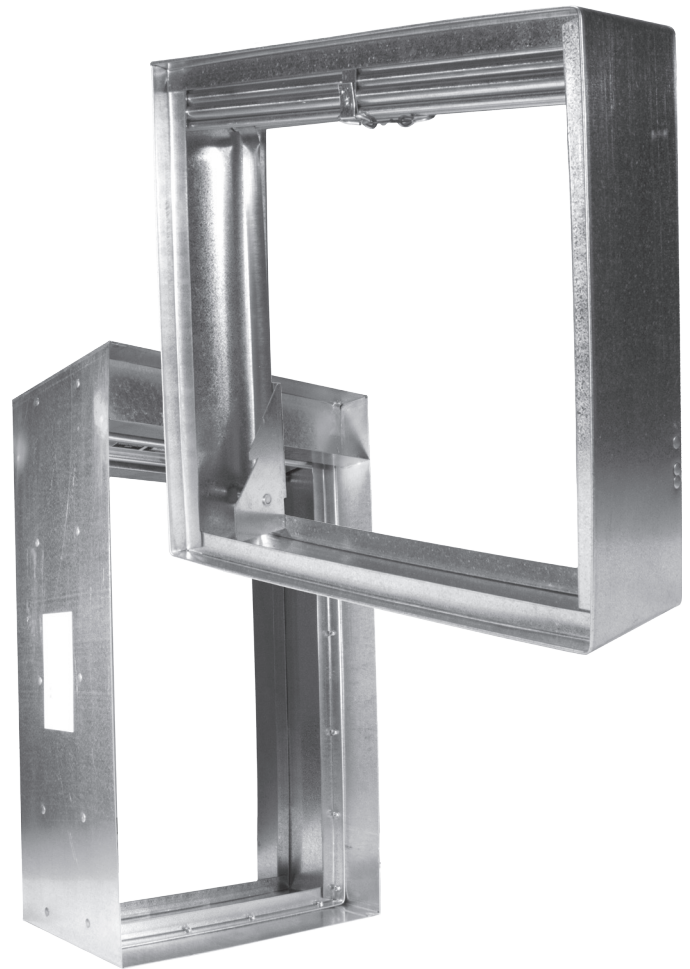
Available in stainless steel

Vertical dampers are available in single-section sizes
from 4" x 4" to 36" x 36"

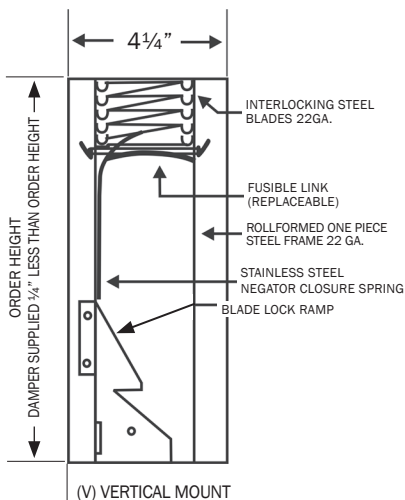
Horizontal dampers are available in single-section sizes
from 4" x 4" to 24" x 24"

Optional 22 Ga Sleeve available:
8", 12", 17", 20", or 24" lengths (12" is standard)

Fire Damper Series 99 Type A



S
C
E
P
S

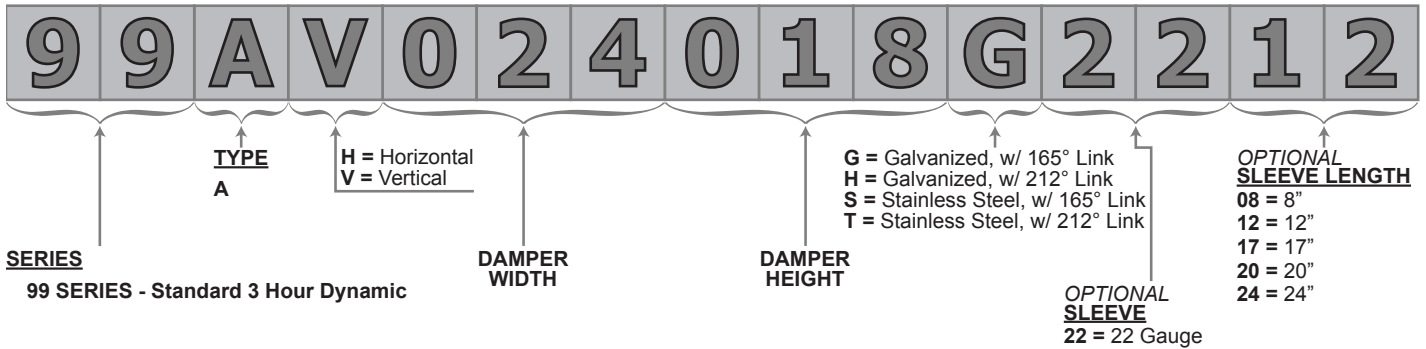


This product meets the requirements
for fire dampers established by:

UL Standards 555
NFPA Standard 90A
ICC Building Codes

Qty.	Mount	Damper Size		Fusible Link Temp (165°F) std.	Factory Sleeve Length
	(V) vertical (H) horizontal	W	H		

Part Number Format



Submittal



AireTechnologies, Inc.
a DMI company

AireTechnologies, Inc.
1502 Industrial Drive
E. Monongahela, PA 15063

phone: 866.421.AIRE
fax 724.310.1262

www.airetechnologies.com