

submittal

Job _____
 Location _____
 Submitted to _____
 Submittal Prepared by _____
 Approve Date _____
 Date _____

Fire Damper Series 99 Type C

UL Classified - **3 Hour Rating**, Dynamic
 For use in installations rated 3 hours or greater

Standard Profile (4¼") 22 Ga
 1 piece rollformed frame

Type C Damper
 Blades and frame out of air-stream, 100% free area

Available for vertical and horizontal installations

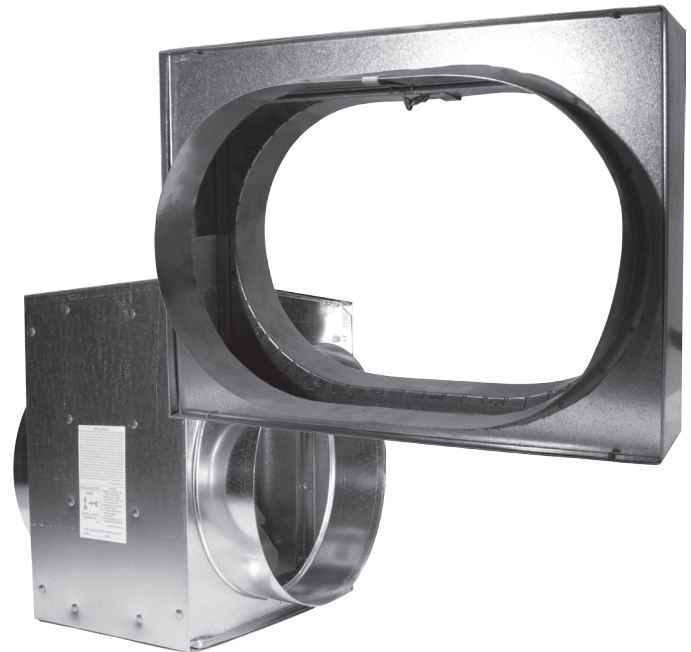
For installation in systems where fans remain running
 during fire and smoke control

Standard fusible link - 165° F (optional 212° F)

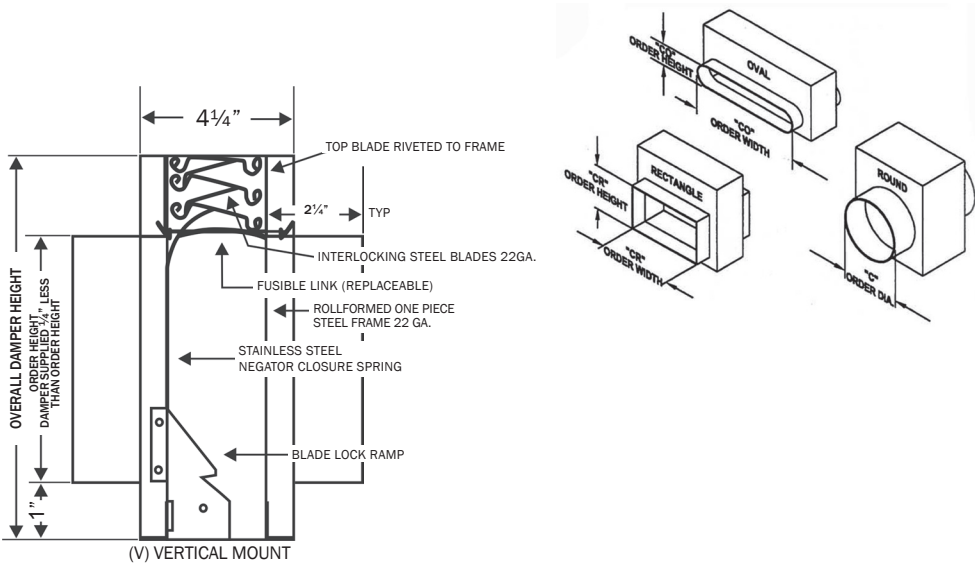
Available in stainless steel

Available in single-section sizes
 from 4" to 31" Ø vertical, from 4" to 20" Ø horizontal
 Oval and rectangular collars
 from 4" x 4" to 34" x 31" vertical
 from 4" x 4" to 22" x 20" horizontal

Optional 22 Ga Sleeve available:
 8", 12", 17", 20", or 24" lengths (12" is standard)



S
C
E
P
S

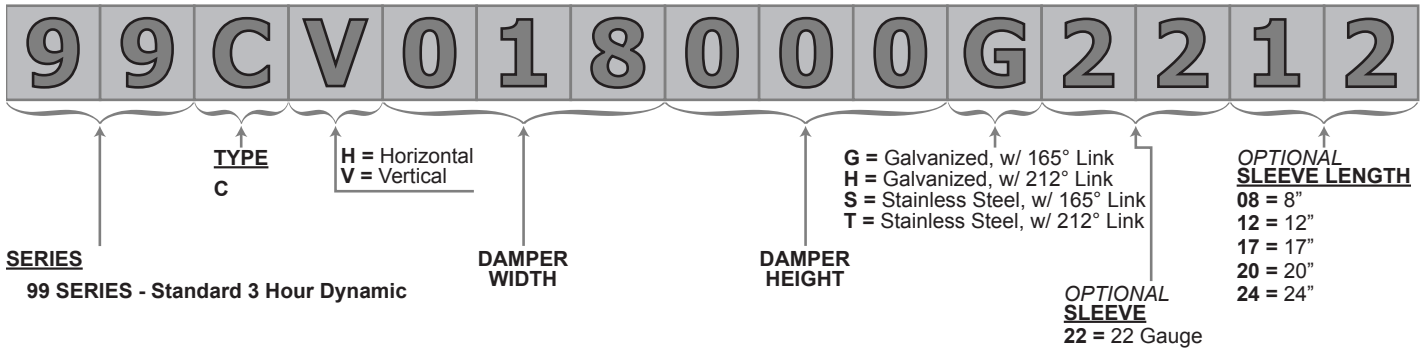


This product meets the requirements for fire dampers established by:

UL Standards 555
NFPA Standard 90A
ICC Building Codes

Qty.	Mount	Damper Diameter	Fusible Link Temp (165°F) std.	Factory Sleeve Length
	(V) vertical (H) horizontal			

Part Number Format



Submittal



Aire Technologies, Inc.
a DMI company

Aire Technologies, Inc.
1502 Industrial Drive
E. Monongahela, PA 15063

phone: 866.421.AIRE
fax 724.310.1262

www.airetechnologies.com