



Aire Technologies, Inc.
a DMI company

Aire Technologies, Inc.
1502 Industrial Drive
E. Monongahela, PA 15063

phone: 866.421.AIRE
fax 724.310.1262

www.airetechnologies.com

submittal

Job _____

Location _____

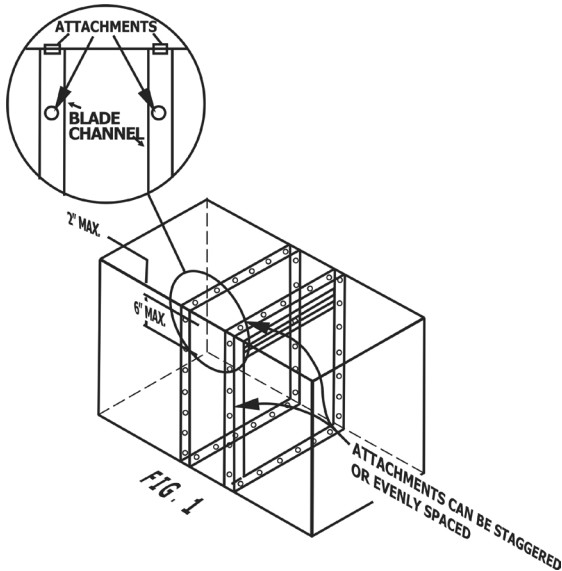
Submitted to _____

Submittal Prepared by _____

Approve Date _____

Date _____

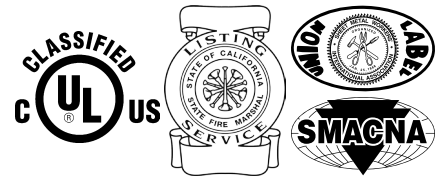
Standard sleeve offered as 22 Ga, 12" length with optional lengths of 4", 8", 17", 20", and 24".



Sleeves



Fire Dampers must be installed in sleeves with breakaway connections to duct.



This product meets the requirements for fire dampers established by:

UL Standards 555C
NFPA Standard 90A
ICC Building Codes

S
C
E
P
S

Qty.	Damper Size		Damper Type			Material	Factory Sleeve Option	
	W	H	A	B	C		Gauge	Length

Part Number Format

S L V A 0 2 4 0 1 8 G 2 2 1 2

↑
SLEEVE

↑
DAMPER
WIDTH

↑
DAMPER
HEIGHT

↑
MATERIAL

↑
SLEEVE
GAUGE

↑
SLEEVE
LENGTH

G - GALVANIZED
S - STAINLESS STEEL

DAMPER TYPE

- A - TYPE A, BLADES IN AIRSTREAM**
- B - TYPE B, BLADES OUT OF AIRSTREAM - "HI-HAT"**
- C - TYPE C, ROUND COLLAR BLADES AND FRAME OUT OF AIRSTREAM**
- O - TYPE C, OVAL COLLAR BLADES AND FRAME OUT OF AIRSTREAM**
- R - TYPE C, RECTANGULAR COLLAR BLADES AND FRAME OUT OF AIRSTREAM**

submittal



AireTechnologies, Inc.
a DMI company

AireTechnologies, Inc.
1502 Industrial Drive
E. Monongahela, PA 15063

phone: 866.421.AIRE
fax 724.310.1262

www.airetechnologies.com