



# Series 75

Type A - Static Fire Damper

Job: \_\_\_\_\_

Location: \_\_\_\_\_

Submitted to: \_\_\_\_\_

Submittal Prepared by: \_\_\_\_\_

Approve Date: \_\_\_\_\_

Date: \_\_\_\_\_

## Specifications

**UL Classification:**

UL Classified UL 555 - **1½ Hour Rating**, Static For Use In Installations Rated Less Than 3 Hours

**Profile:**

Standard Profile - 4¼" 22Ga 1 Piece Rollformed Frame

**Material:**

Galvanized Steel - Standard  
Stainless Steel - Optional

**Blades:**

Blades in Air-Stream - Type A Damper

**Orientation:**

Available for Vertical and Horizontal Installations

**Sizes:**

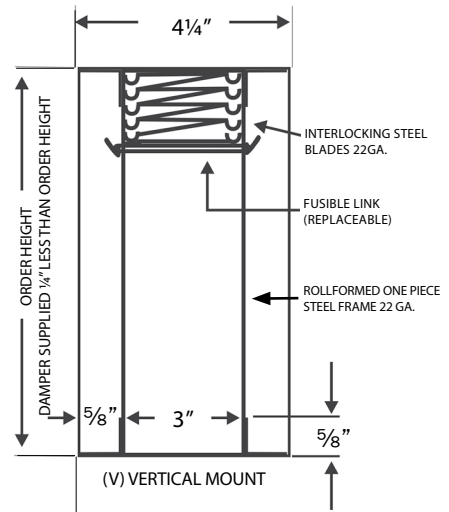
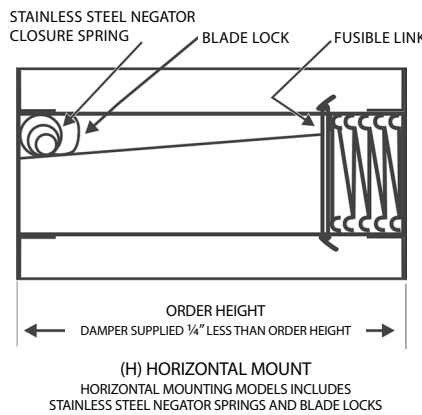
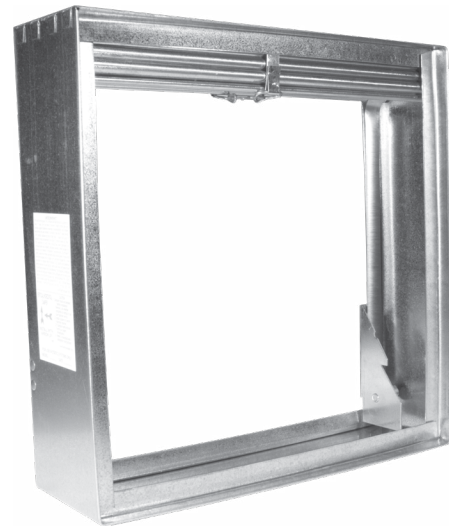
Available In Single-Section Sizes:  
Vertical - 4" x 4" to 60" x 60"  
Horizontal - 4" x 4" to 40" x 60"  
Available In Multi-Section Sizes:  
Vertical - Up to 120" x 120"  
Horizontal - Up to 120" x 120"

**Fusible Link:**

165° F Rated Link - Standard  
212° F Rated Link - Optional

**22 Ga Optional Sleeves:**

12" Sleeve - Standard  
8", 12", 17", 20", or 24" lengths - Optional



This product meets the requirements for fire dampers established by:

**UL Standards 555  
NFPA Standard 90A  
ICC Building Codes**



3225-1650: 0107



Aire Technologies, Inc

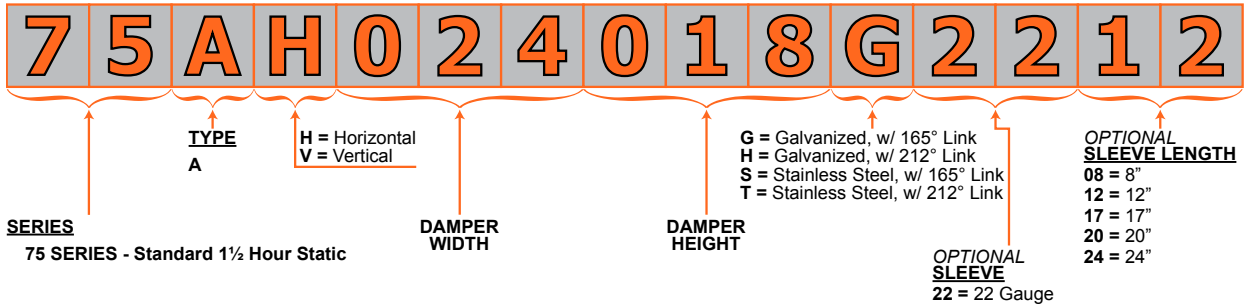
1502 Industrial Drive, Monongahela, PA 15063

1-866-421-AIRE

atiorders@airetechnologies.com

AireTechnologies.com

# Part Number Format



Qty.	Mount	Damper Size		Fusible Link Temp (165°F) std.	Factory Sleeve Length
	(V) Vertical (H) Horizontal	W	H		

