



Series 75

Type B - Static Fire Damper

Job: _____

Location: _____

Submitted to: _____

Submittal Prepared by: _____

Approve Date: _____

Date: _____

Specifications

UL Classification:

UL Classified UL 555 - **1½ Hour Rating**, Static For Use In Installations Rated Less Than 3 Hours

Profile:

Standard Profile - 4¼" 22Ga 1 Piece Rollformed Frame

Material:

Galvanized Steel - Standard
Stainless Steel - Optional

Blades:

Blades Out of Air-Stream - Type B Damper

Orientation:

Available for Vertical and Horizontal Installations

Sizes:

Available In Single-Section Sizes:

Vertical - 4" x 3" to 60" x 54"

Horizontal - 4" x 3" to 40" x 54"

Available In Multi-Section Sizes:

Vertical - 120" x 114"

Horizontal - 120" x 108"

Fusible Link:

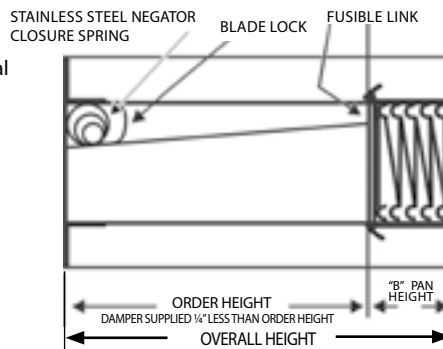
165° F Rated Link - Standard

212° F Rated Link - Optional

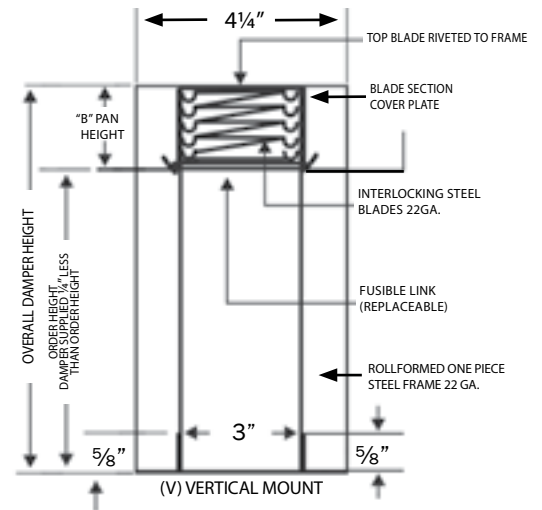
22 Ga Optional Sleeves:

12" Sleeve - Standard

8", 12", 17", 20", or 24" lengths - Optional



(H) HORIZONTAL MOUNT
HORIZONTAL MOUNTING MODELS INCLUDES
STAINLESS STEEL NEGATOR SPRINGS AND BLADE LOCKS



This product meets the requirements for fire dampers established by:

UL Standards 555
NFPA Standard 90A
ICC Building Codes



3225-1650: 0107



Aire Technologies

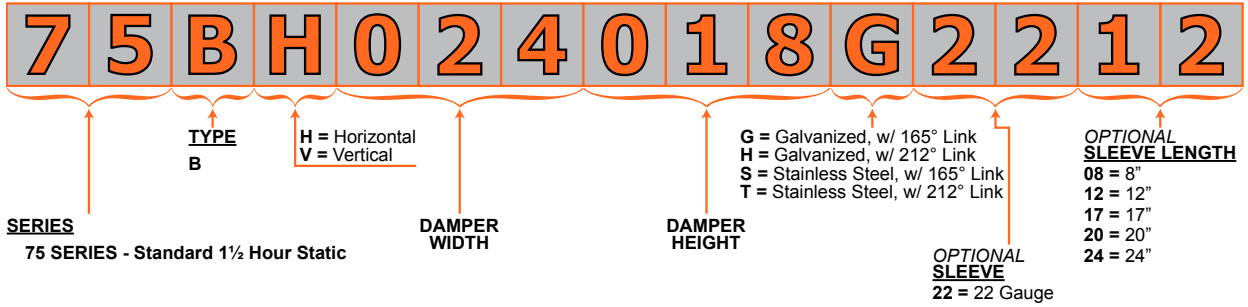
1502 Industrial Drive, Monongahela, PA 15063

1-866-421-AIRE

atorders@airetechnologies.com

AireTechnologies.com

Part Number Format



Qty.	Mount	Damper Size		Fusible Link Temp (165°F) std.	Factory Sleeve Length
	(V) Vertical (H) Horizontal	W	H		

