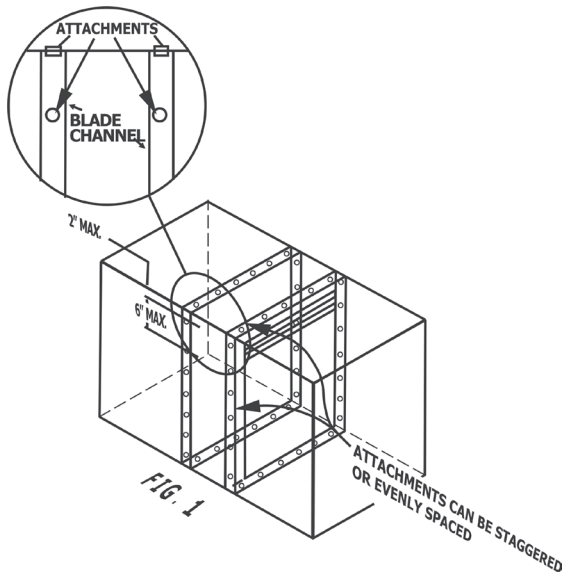


# submittal

Job \_\_\_\_\_  
 Location \_\_\_\_\_  
 Submitted to \_\_\_\_\_  
 Submittal Prepared by \_\_\_\_\_  
 Approve Date \_\_\_\_\_  
 Date \_\_\_\_\_

Standard sleeve offered as 22 Ga, 12" length with optional lengths of 4", 8", 17", 20", and 24".



## Sleeves



Fire Dampers must be installed in sleeves with breakaway connections to duct.



This product meets the requirements for fire dampers established by:

**UL Standards 555C**  
**NFPA Standard 90A**  
**ICC Building Codes**

S  
C  
E  
P  
S

Qty.	Damper Size		Damper Type			Material	Factory Sleeve Option	
	W	H	A	B	C		Gauge	Length

## Part Number Format



↑  
SLEEVE

↑  
DAMPER  
WIDTH

↑  
DAMPER  
HEIGHT

↑  
**MATERIAL**

G - GALVANIZED  
S - STAINLESS STEEL

↑  
SLEEVE  
GAUGE

↑  
SLEEVE  
LENGTH

**DAMPER TYPE**

- A - TYPE A, BLADES IN AIRSTREAM
- B - TYPE B, BLADES OUT OF AIRSTREAM - "HI-HAT"
- C - TYPE C, ROUND COLLAR BLADES AND FRAME OUT OF AIRSTREAM
- O - TYPE C, OVAL COLLAR BLADES AND FRAME OUT OF AIRSTREAM
- R - TYPE C, RECTANGULAR COLLAR BLADES AND FRAME OUT OF AIRSTREAM

# Submittal



**AireTechnologies, Inc.**  
a DMI company

AireTechnologies, Inc.  
1502 Industrial Drive  
E. Monongahela, PA 15063

phone: 866.421.AIRE  
fax 724.310.1262

[www.airetechnologies.com](http://www.airetechnologies.com)