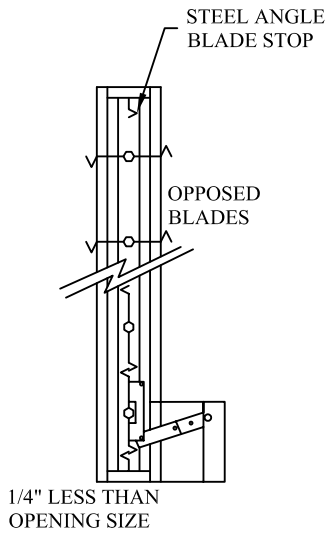
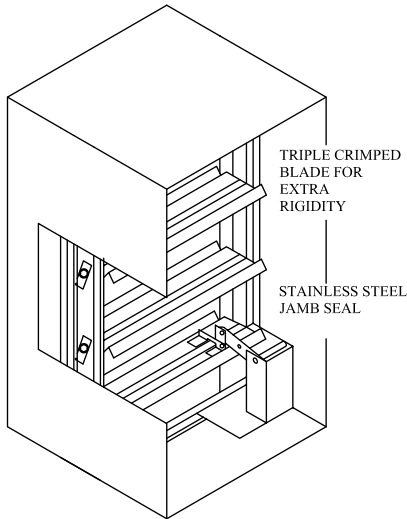




Series 10

Combination Fire And Smoke Damper



Job: _____

Location: _____

Submitted to: _____

Submittal Prepared by: _____

Approve Date: _____

Date: _____

Specifications

UL Classified - 1½ Hour Rating:

- Leakage Class: Class I - Ultra Low Leakage and Class II - Low Leakage
- Vertical and Horizontal Installation
- Thermal Disc: 165°F standard / 212°F optional
- Temperature Ratings - 250° and 350° F
- Opposed Blades
- Maximum Velocity: 2000 FPM (4" WG)
- Rated for both Upstream and Downstream

Standard Construction:

- Frame: 16 Ga galvanized steel
- Blades: 16 Ga galvanized steel triple crimped, 6" centers
- Seals: Silicone blade and stainless jamb
- Linkage: concealed in jamb
- Bearings: 5/8" oilite bronze
- Axles: 7/16" plated hex
- Control Shaft: 1/2" round

Options:

- Sleeves: 17", 20", 24"
- Actuator Mounting: External or Internal, Right or Left
- Actuator Voltage: 24V, 120V
- Actuator Type: Belimo
- Airfoil Blades
- Smoke Detector

Sizes:

- Minimum: 8" x 6"*
 - Single-Section Maximums:
 - Crimped Blades: Vertical Max: 36"W x 48"H
Horizontal Max: 36"W x 36"H
 - Airfoil Blades: Vertical Max: 36"W x 48"H
Horizontal Max: 36"W x 36"H
 - Multi-Section Maximums:
 - Crimped Blades: Vertical Max.: 144"W x 48"H
Horizontal Max.: 72"W x 36"H
 - Airfoil Blades: Vertical Max.: 108"W x 48"H
- * duct sizes less than 8" height will have angle transition on sleeve

Models:

- Type N with side plate/no sleeve
- Type A with sleeve
- Type R, square transition
- Type C, round transition
- Type V, oval transition



UL Standards 555 and 555S
NFPA Standard 90A and 92
NFPA Bulletin 80
ICC Building Codes



Aire Technologies, Inc

1502 Industrial Drive, Monongahela, PA 15063

1-866-421-AIRE

AireTechnologies.com

Part Number Format

1 2 V 1 D 0 0 0 0 0 0 G 1 N N 4

Width
144" Max

Height
48" Max

Internal/External/Right/Left/End Switch/No Endswitch
 D = External-Right-No End Switch
 A = External-Left-End Switch
 B = Internal-Right-End Switch
 C = Internal-Left-End Switch
 E = External-Right-End Switch
 F = External-Left-No End Switch
 J = Internal-Right-No End Switch
 K = Internal-Left-No End Switch

Actuator Type/Voltage
 1 = Belimo, 120v
 2 = Belimo, 24v

Blade Type
 V = Opposed Crimped
 F = Opposed Airfoil

Leakage Class
 1 = Class I, Ultra Low Leakage
 2 = Class II, Low Leakage

Response Device*
 1 = Blade Indicator Package
 2 = Blade Indicator Package + Remote Operator
 3 = Remote Operator
 4 = No Response Devices

Smoke Detector*
 S = Smoke Detector
 N = No Smoke Detector

Transition
 R = Rectangular
 V = Oval
 C = Round
 W = Out of Wall (Series 10 ONLY)*
 N = No Transition

Sleeve Length
 1 = 17"
 2 = 20"
 3 = 24"
 S = No Sleeve

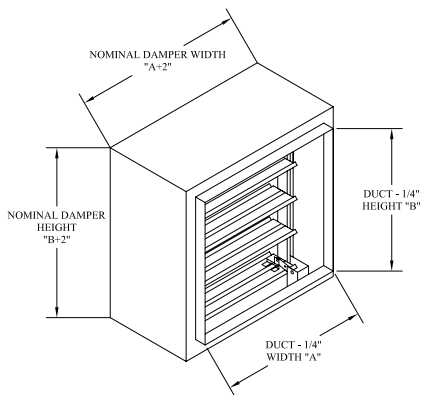
Link and Rating
 G = 165°F; 250°
 H = 212°F; 250°
 L = 165°F; 350°
 M = 212°F; 350°

Model
 1 = Series 10 1 1/2 hr
 2 = Series 20
 3 = Series 30 3 hr

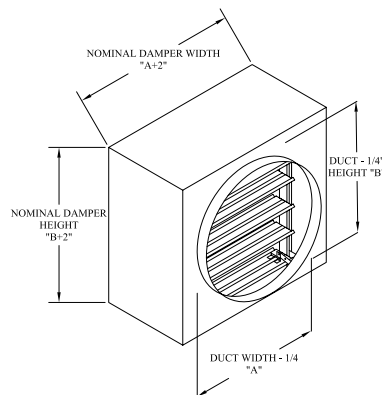
* Option available soon

Qty.	Model	Leakage Class	Blade Type	Actuator Type	End Switch	Damper Size		Link Type	Sleeve Length	Transition/ Out of Wall	Smoke Detector
						W	H				

TYPE R – square transition



TYPE C or V – round or oval transition



TYPE N – no sleeve/side plate

