



Series 30

Combination Fire And Smoke Damper

Job: _____

Location: _____

Submitted to: _____

Submittal Prepared by: _____

Approve Date: _____

Date: _____

Specifications

UL Classified - 3 Hour Rating:

- Leakage Class: Class I - Ultra Low Leakage and Class II - Low Leakage Vertical and Horizontal Installation
- Thermal Disc: 165°F standard / 212°F optional
- Temperature Ratings - 250° and 350° F
- Opposed Blades
- Maximum Velocity: 2000 FPM (4" WG)
- Rated for both Upstream and Downstream

Standard Construction:

- Frame: 16 Ga galvanized steel
- Blades: 16 Ga galvanized steel triple crimped, 6" centers
- Seals: Silicone blade and stainless jamb
- Linkage: concealed in jamb
- Bearings: 5/8" oilite bronze
- Axles: 7/16" plated hex
- Control Shaft: 1/2" round

Options:

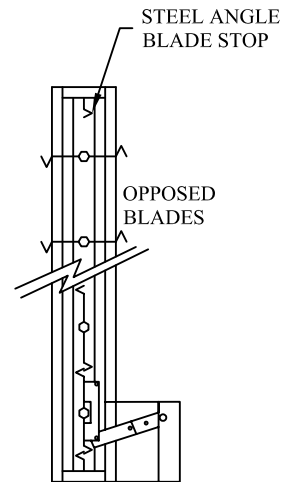
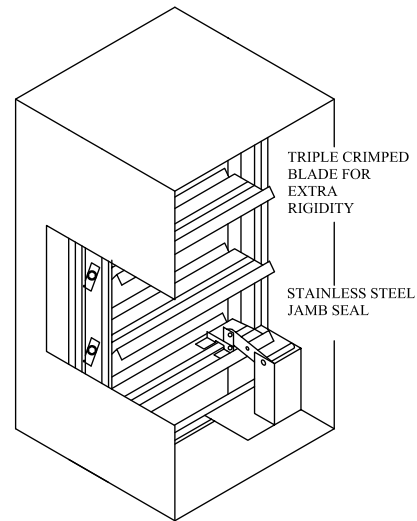
- Sleeves: 17", 20", 24"
- Actuator Mounting: External or Internal, Right or Left
- Actuator Voltage: 24V, 120V
- Actuator Type: Belimo
- Actuator Operation: Power-Open/Fail-Close
- Smoke Detector

Sizes:

- Minimum: 8" x 8"
- Maximum - Single Section: 36"W x 36"H Vertical
36"W x 36"H Horizontal
- * duct sizes less than 10" height will have transition on sleeve*

Models:

N, No Transition	Type A Sleeve
R, Square Transition	Type C Sleeve
C, Round Transition	
V, Oval Transition	



1/4" LESS THAN OPENING SIZE



UL Standards 555 and 555S
NFPA Standard 90A and 92
NFPA Bulletin 80
ICC Building Codes



Aire Technologies

1502 Industrial Drive, Monongahela, PA 15063

1-866-421-AIRE

atorders@airetechnologies.com

AireTechnologies.com

Part Number Format

3 2 V 1 D 0 0 0 0 0 G 1 N S 4

Width
36" Max

Height
36" Max

Internal/External/Right/Left/End Switch/No Endswitch
 D = External-Right-No End Switch
 A = External-Left-End Switch
 B = Internal-Right-End Switch
 C = Internal-Left-End Switch
 E = External-Right-End Switch
 F = External-Left-No End Switch
 J = Internal-Right-No End Switch
 K = Internal-Left-No End Switch

Response Device
4 = No Response Devices

Smoke Detector
 S = SL-2000-P (Default)
 T = SL-2000-N
 N = No Smoke Detector

Actuator Type/Voltage
 1 = Belimo, 120v
 2 = Belimo, 24v

Transition
 R = Rectangular
 V = Oval
 C = Round
 N = No Transition

Blade Type
V = Opposed Crimped

Sleeve Length
 1 = 17"
 2 = 20"
 3 = 24"

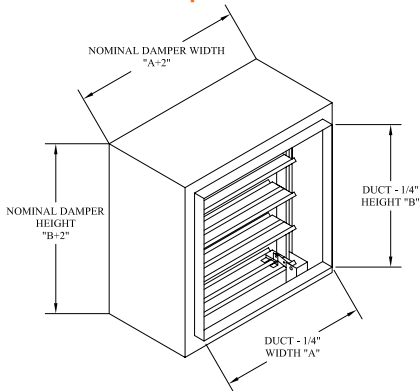
Leakage Class
 1 = Class I, Ultra Low Leakage
 2 = Class II, Low Leakage

Link and Rating
 G = 165°F; 250°
 H = 212°F; 250°
 L = 165°F; 350°
 M = 212°F; 350°

Model
3 = Series 30 3 hr

Qty.	Model	Leakage Class	Blade Type	Actuator Type	End Switch	Damper Size		Link Type	Sleeve Length	Transition	Smoke Detector
						W	H				

TYPE R – square transition



TYPE C or V – round or oval transition

