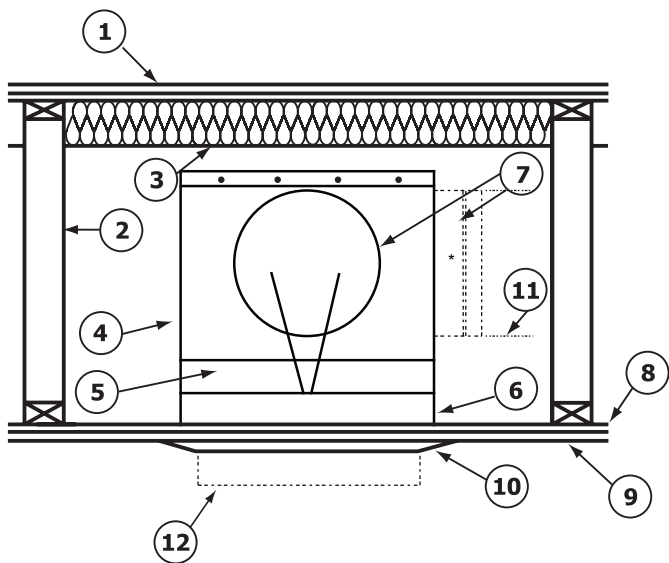


# INSTALLATION INSTRUCTIONS

## Series 50 With Box - CRD

**For Installation In Design No. L-528, L-562, L-587 Floor-Ceiling Assemblies and Design No. P-556 and P-580 Roof-Ceiling Assemblies With Rating Of 1 Hour Or Less**

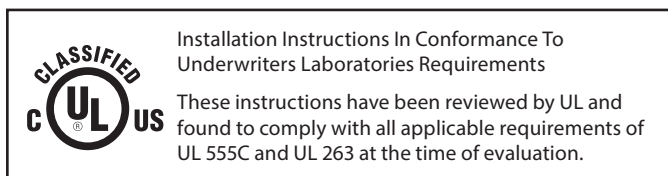


### ITEM DESCRIPTION:

1. Finish Floor system
2. Wood Trusses
3. Insulation
4. Galvanized Steel Box
5. UL 555C Ceiling Damper
6. Register Clearance - 2"
7. Inlet/outlet Collar (1) Parallel to, or transverse to Trusses
8. Resilient Channels
9. Gypsum board ceiling material
10. Register, grille, diffuser, (by others)
11. Class 0, or class 1 Flex-duct (by others)
12. Alternate duct drop connection

### INSTALLATION INSTRUCTIONS:

1. Locate and cut a hole in the side of the box for maximum (1) collar as seen in item #7 above and install collar. The collar diameter shall be maximum 10".
2. Measure the distance between the trusses, add 7", and cut the "S" slip for mounting, 28ga minimum and 2 pieces per box assembly. Snap the "S" slips onto the appropriate opposite sides of the register opening of the box onto the mounting flange.
3. Locate the position of the box (must have 3/4" clearance between the box and the side of either/both truss[es]) and cut only one (only if necessary) resilient channel to clear the dimension of the box. Attach the mounting rails to the bottom of the trusses with a minimum of two fasteners at each point. Use #6 nails, #8 screws, or #10 screws having minimum length of 1 1/2". Ensure the bottom of the box is in the same plane as the resilient channels (top side of the gypsum board ceiling), use small furring blocks if necessary.
4. Cycle the ceiling damper several times to insure there is no impediment to damper function. Squeeze the ceiling damper blades together and set the fusible link in place.
5. Attach Class 0, or Class 1 flex-duct as prescribed by the manufacturers installation instructions provided with that product.
6. Hole in the gypsum board ceiling material shall not exceed register opening by more than 1/16" on any side.
7. Register, grille, or diffuser shall be attached with screws sufficiently long enough to penetrate the ceiling and the plaster guard flange (1 1/2", min), sandwiching the ceiling material, as located by the mounting holes found in those products.
8. Fastener positions must not interfere with ceiling damper blade operation.



**ALL INSTALLATIONS ARE SUBJECT TO LOCAL AUTHORITY APPROVAL PRIOR TO ORDERING DAMPERS AND DAMPER INSTALLATION**