

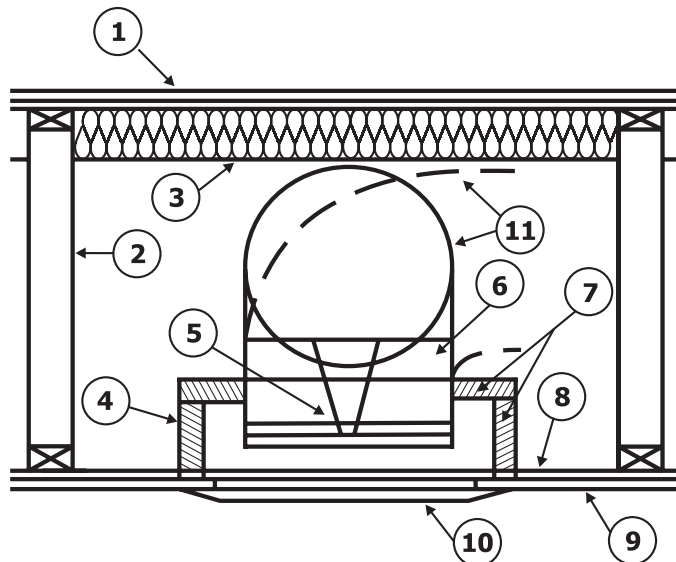
# INSTALLATION INSTRUCTIONS

## Series 57 Insulated Register Boot - CRD

**For Installation in Floor-Ceiling Assembly Design No. L528, L558, L562, L574, L585, L587 and Roof-Ceiling Assembly Design No. P533, P545, P547, P556, P580 with Rating Of 1 Hour Or Less**

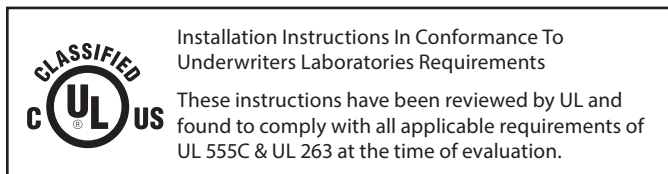
### INSTALLATION INSTRUCTIONS:

1. Measure the distance between the trusses and add 7". Cut the "S" slip to appropriate length for mounting. "S" slip shall be 28ga minimum and 2 pieces per box assembly. Snap the "S" slips onto the mounting flange on the appropriate opposite sides of the register opening of the box.
2. Locate the position of the box (must have  $\frac{3}{4}$ " minimum clearance between the box and the side of either/both truss(es)) and cut (only if necessary) one resilient channel to clear the dimension of the box. Attach the "S" slip mounting rails to the bottom of the trusses, two fasteners minimum at each point using #6 nails or #8 or #10 screws, having minimum length of  $1\frac{1}{2}$ ". Ensure the bottom of the box is in the same plane as the resilient channels (top side of the gypsum board). Use small furring blocks if necessary.
3. Cycle the ceiling damper several times to insure that there is no impediment to damper function. Squeeze the ceiling damper blades together and set the fusible link in place.
4. Attach Class 0 or Class 1 flex-duct as prescribed by the manufacturer's instructions provided with that product or steel pipe duct, (elbow and pipe) as per SMACNA guidelines.
5. Hole in gypsum board shall not exceed register opening of the Series 57IB by more than  $\frac{1}{16}$ " on any side.
6. Register, grille or diffuser shall be attached with screws which shall be sufficiently long enough to penetrate the ceiling and the bottom of the Series 57IB box ( $1\frac{1}{2}$ " min.) as located by the mounting holes found in those products.
7. Fastener positions must not interfere with damper blade operation.



### ITEM DESCRIPTION:

1. Finish floor system
2. Wood trusses
3. Insulation
4. Insulated register box
5. UL 555C ceiling damper
6. Box collar
7. R6 ( $\frac{1}{2}$ ") or R8 (2") insulation
8. Resilient channels
9. Gypsum board ceiling material
10. Register, grille, diffuser, or drop duct
11. Class 0, Class 1, flex-duct or steel pipe connector either parallel to or transverse to trusses



**ALL INSTALLATIONS ARE SUBJECT TO LOCAL AUTHORITY APPROVAL PRIOR TO ORDERING DAMPERS AND DAMPER INSTALLATION**