



Series 05

Type B - Static Fire Damper

Job: _____

Location: _____

Submitted to: _____

Submittal Prepared by: _____

Approve Date: _____

Date: _____

Specifications

UL Classification:

UL Classified UL 555 - **3 Hour Rating**, Static For Use In Installations Rated 3 Hours Or Greater

Profile:

Standard Profile - 4 1/4" 22Ga 1 Piece Rollformed Frame

Material:

Galvanized Steel - Standard
Stainless Steel - Optional

Blades:

Blades Out Of Air-Stream - Type B Damper

Orientation:

Available For Vertical And Horizontal Installations

Sizes:

Available In Single-Section Sizes:

Vertical - 4" x 3" To 60" x 54"

Horizontal - 4" x 3" To 40" x 54"

Multi-Section Sizes:

Vertical - 120" x 114"

Horizontal - 120" x 54" Or 80" x 84"

Fusible Link:

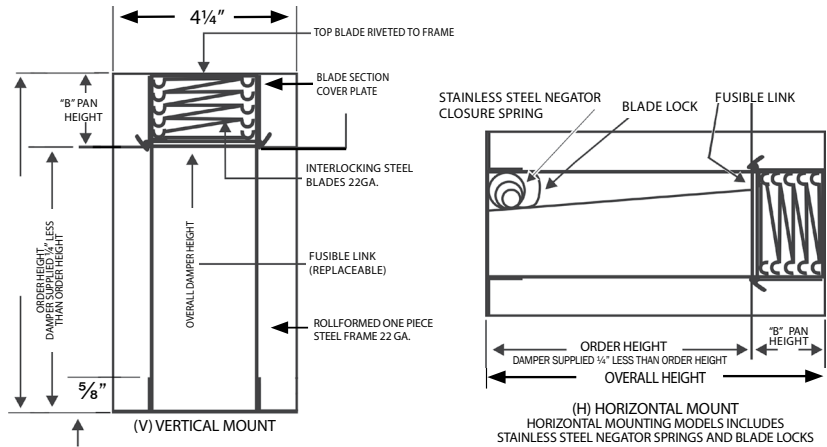
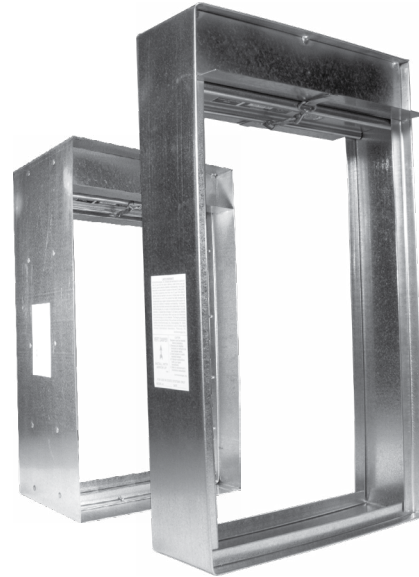
165° F Rated Link - Standard

212° F Rated Link - Optional

22Ga Optional Sleeves:

12" Sleeve - Standard

8", 17", 20", or 24" lengths - Optional



This product meets the requirements for fire dampers established by:

**UL Standards 555
NFPA Standard 90A
ICC Building Codes**



3225-1650:0107



Aire Technologies, Inc

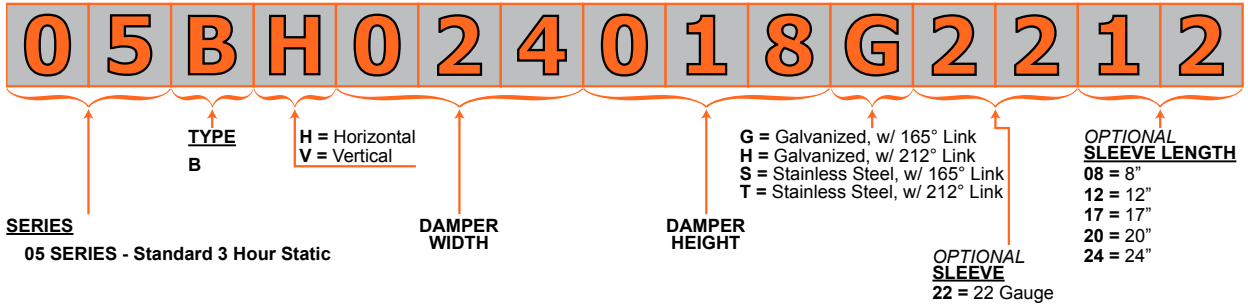
1502 Industrial Drive, Monongahela, PA 15063

1-866-421-AIRE

atiorders@airetechnologies.com

AireTechnologies.com

Part Number Format



Qty.	Mount	Damper Size		Fusible Link Temp (165°F) std.	Factory Sleeve Length
	(V) Vertical (H) Horizontal	W	H		

