



Series 58

DD, SD, and EAD

Job: _____

Location: _____

Submitted to: _____

Submittal Prepared by: _____

Approve Date: _____

Date: _____

Specifications

UL Listing:

UL Classified (UL 263) - For use in wood truss floor/ceiling assemblies rated 1 hour

UL Floor/Ceiling Assemblies:

Approved for use in **L-587***, **L528**, **L558**, **L562**, **L574**, and **L585**
*ATI Exclusive Listings

UL Roof/Ceiling Assemblies:

Approved for use in **P-556***, **P533**, **P545**, **P547**, and **P580**
*ATI Exclusive Listings

Ceiling Radiation Damper Type:

Incorporates a UL 555C evaluated ceiling damper for use in duct drop applications

Standard Construction:

22 Ga CRD frame and blades

Ductboard Box Installation:

58DD - Factory installed 1½" R-6 or 2" R-8

Ductboard Included

58EAD - Field installed 1½" R-6 or 2" R-8

Ductboard Not Included

58SD - Optional - Field supplied steel plenum box

Ductboard Not Included

Fusible Link:

Standard - 165° F

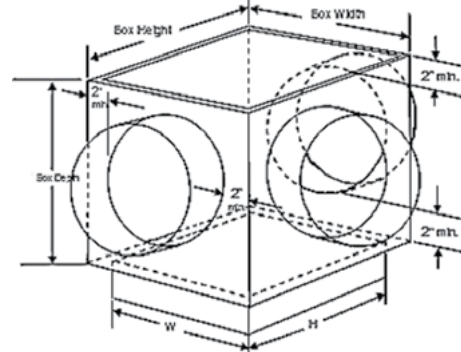
Optional - 212° F

Thermal Blanket:

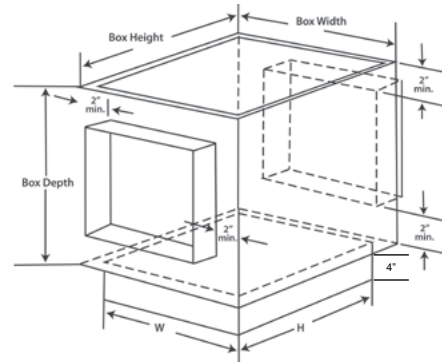
Ceramic thermal blanket provided on units with CRD areas greater than 84 square inches

Available Sizes:

Available in range of sizes from 4" x 8" to 20" x 16"



Alternate Rectangular Collars



3326-1650: 0102



UL Standards 263 and 555C
NFPA Standard 90A
ICC Building Codes



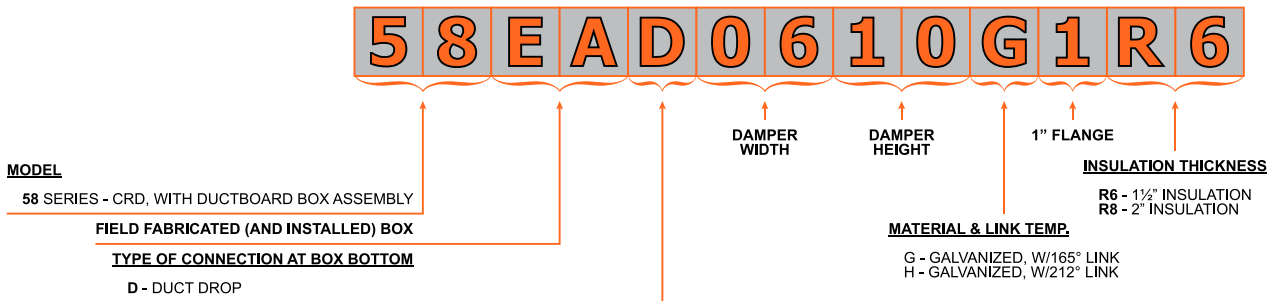
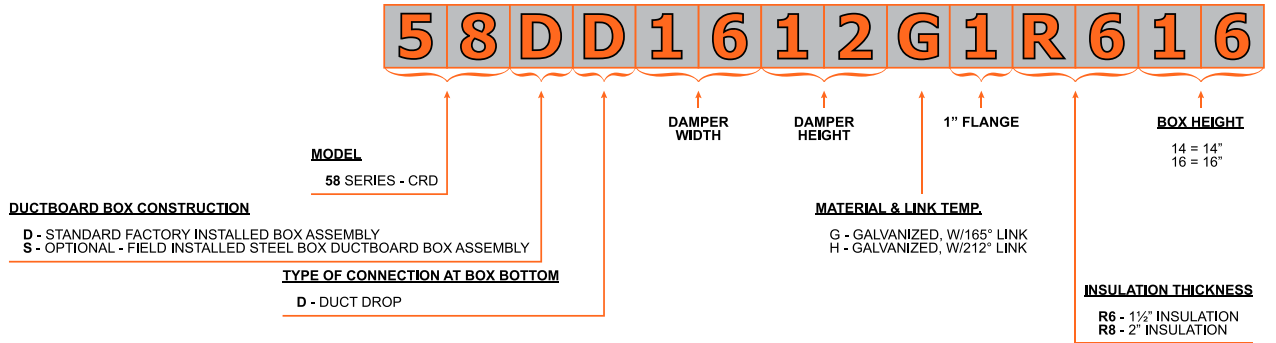
Aire Technologies, Inc

1502 Industrial Drive, Monongahela, PA 15063

1-866-421-AIRE

AireTechnologies.com

Part Number Format



Qty.	Damper Opening		Fusible Link Temp (165° Std.)	Factory Installed Ductboard Box	
	W	H		Insulation	Box Height

