

**1. Opening Preparation:**

The opening must be enlarged by 1/8" per linear foot of both damper width and height to allow for thermal expansion (minimum 1/4").

**2. Grille Installation:**

For grille installation, angle legs may be reversed and one leg inserted into the wall/floor opening providing the required clearance is maintained between angle leg fasteners and the wall/opening.

**3. Damper/Sleeve Connections:**

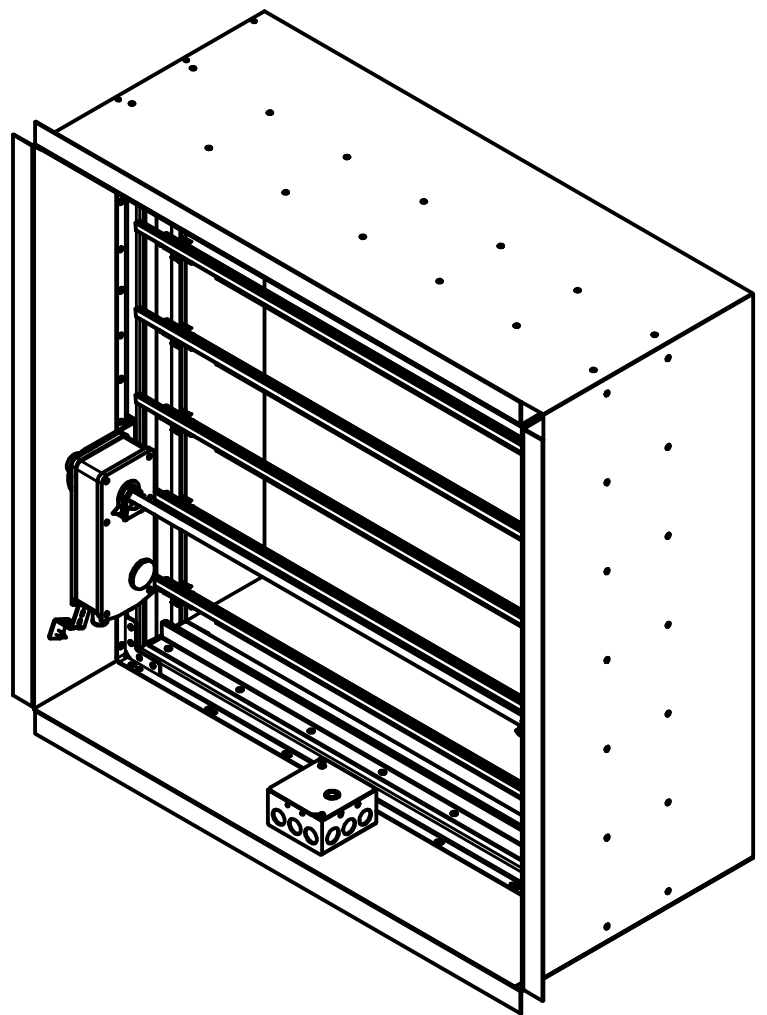
Sleeves shall be the same gauge or heavier as the duct in which they are attached. Gauges shall conform to SMACNA or ASHRAE standards. Sleeves shall not extend more than 6" beyond the partition. If an actuator or access door is supplied, the sleeve may extend up to 16". Sleeves must be connected to duct via an approved breakaway connection. Refer to manufacturer's installation instructions for additional details on breakaway connections.

See note (1) on Opening Preparation

See note (2) on Grille Installation

Grille/Register (By Others)

See note (3) on Duct Connections



CRITICAL TO QUALITY DIMENSION

MATERIAL CALLOUT	
MATERIAL	
MAPICS NO.	

**THIS DRAWING AND ALL THE INFORMATION THEREON IS THE PROPERTY OF DUCTMATE INDUSTRIES INCORPORATED. IT IS CONFIDENTIAL AND MUST NOT BE MADE PUBLIC, NOR COPIED, NOR USED TO THE DISADVANTAGE OF DUCTMATE IND. INC. AND IS SUBJECT TO RETURN ON DEMAND.**

TOL. UNLESS SPECIFIED	
3 PLACE DEC.....	±.005 in
2 PLACE DEC.....	±.020 in
ANGLES.....	±1°
SCALE:	
DATE:	4/21/2015
DRAFTER:	tbagatti
CHK BY:	
ENG APP:	
MFG APP:	

**at**  
Aire Technologies, Inc.  
1502 Industrial Drive  
E. Monongahela, PA 15063-9709  
Phone (724) 258-0500  
Fax (724) 258-3619

DRAWING NAME: 36"x 36" FSD, SLEEVE TO DAMPER INTERNAL MOUNT ASS'Y			
USED ON: FIRE SMOKE DAMPER			
DWG. NO.:	REV:	SHEET SIZE:	
F&S Grille Access		B	
MAPICS NO.:	SHEET NO.:		
Installation SEE TABLE	1 of 1		

THIRD ANGLE PROJECTION