

1 2 3 4 5 6

A A

B B

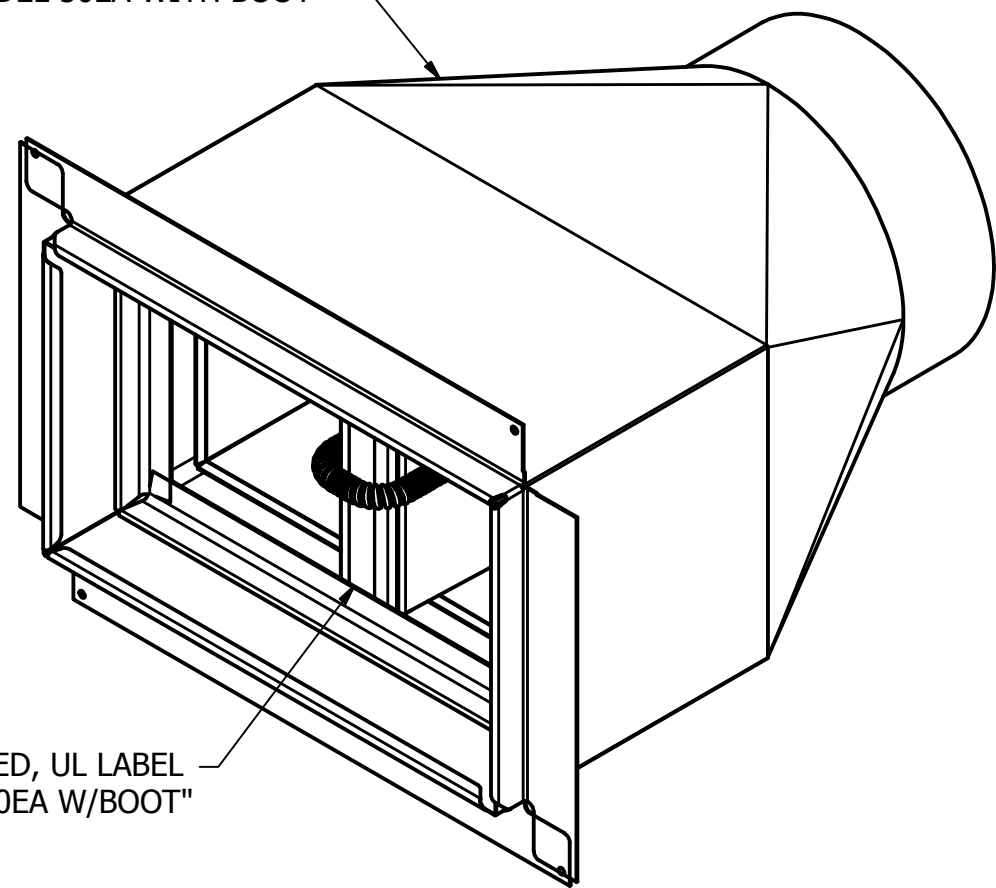
C C

D D

E E

F F

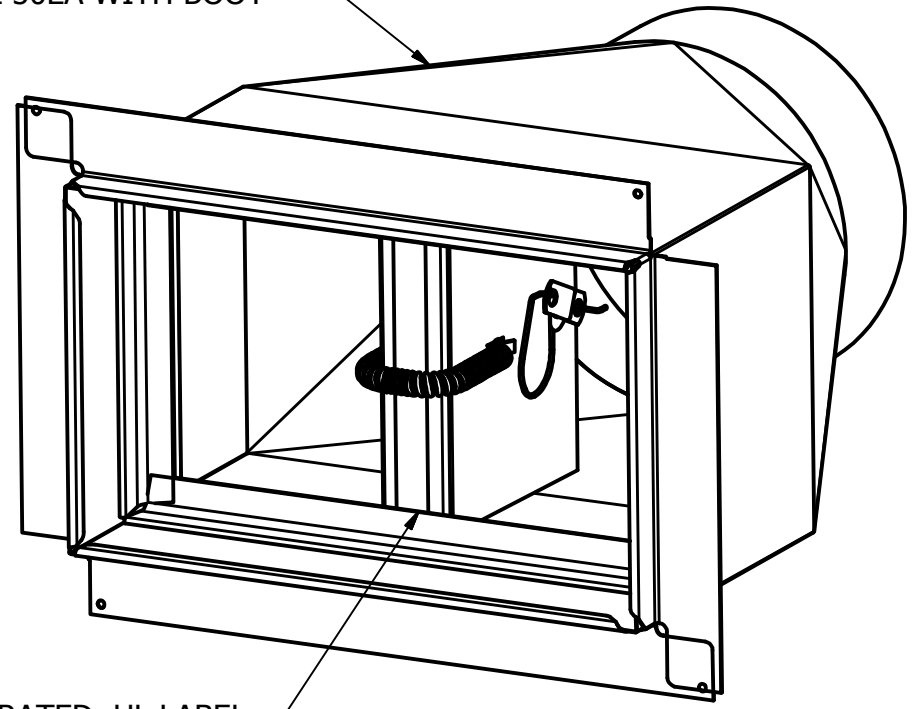
AIRE TECHNOLOGIES
MODEL 50EA WITH BOOT



UL 555C RATED, UL LABEL
SHALL SAY "50/50EA W/BOOT"

ISOMETRIC VIEW

AIRE TECHNOLOGIES
MODEL 50EA WITH BOOT



UL 555C RATED, UL LABEL
SHALL SAY "50/50EA W/BOOT"

STRAIGHT BOOT WITH CRD

CRITICAL TO QUALITY DIMENSION

TOL. UNLESS SPECIFIED	
3 PLACE DEC.....	±.005
2 PLACE DEC.....	±.020
ANGLES.....	±1°
SCALE:	1"=3"
DATE:	7/1/2013
DRAFTER:	SRS
CHK BY:	
ENG APP:	
MFG APP:	

at
Aire Technologies, Inc.
1502 Industrial Drive
E. Monongahela, PA 15063-9709
Phone (724) 258-0500
Fax (724) 258-3619

DRAWING NAME: CEILING RADIATION DAMPER DEAL		
USED ON:		
DWG. NO.:	REV:	SHEET SIZE:
CRD DETAIL		B
MAPICS NO.:		SHEET NO.:
		3 of 3

**THIS DRAWING AND ALL
THE INFORMATION THEREON
IS THE PROPERTY OF DUCTMATE
INDUSTRIES INCORPORATED. IT IS
CONFIDENTIAL AND MUST NOT BE
MADE PUBLIC, NOR COPIED, NOR
USED TO THE DISADVANTAGE OF
DUCTMATE IND. INC. AND IS
SUBJECT TO RETURN ON DEMAND.**

MATERIAL CALLOUT	
MATERIAL	
MAPICS NO.	

THIRD ANGLE PROJECTION

1 2 3 4 5 6