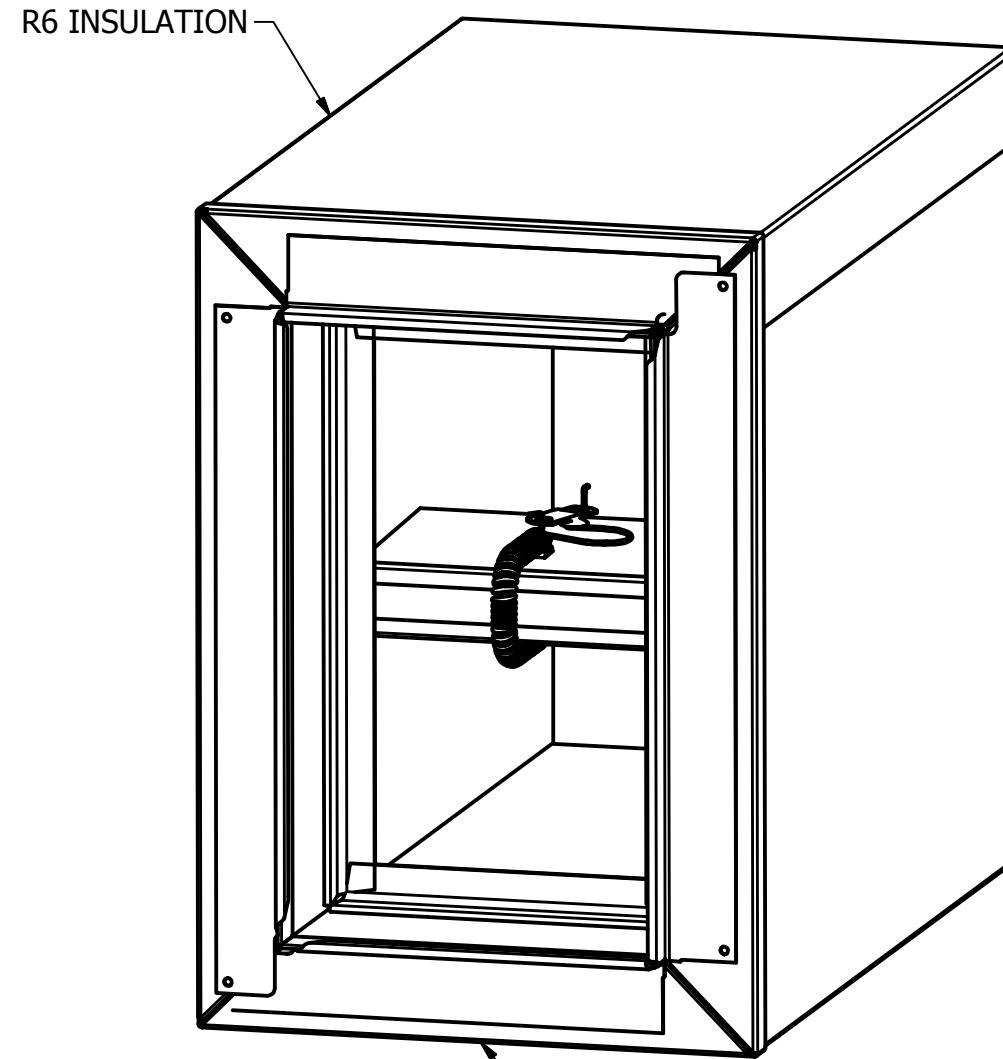



ISOMETRIC VIEW
58DR

AIRE TECHNOLOGIES SERIES
58 DUCTBOARD PLENUM BOX



AIRE TECHNOLOGIES SERIES
58 DUCTBOARD PLENUM BOX

 CRITICAL TO QUALITY DIMENSION

MATERIAL CALLOUT	
MATERIAL	
MAPICS NO.	

THIS DRAWING AND ALL THE INFORMATION THEREON IS THE PROPERTY OF DUCTMATE INDUSTRIES INCORPORATED. IT IS CONFIDENTIAL AND MUST NOT BE MADE PUBLIC, NOR COPIED, NOR USED TO THE DISADVANTAGE OF DUCTMATE IND. INC. AND IS SUBJECT TO RETURN ON DEMAND.

TOL. UNLESS SPECIFIED	
3 PLACE DEC.....	±.005 in
2 PLACE DEC.....	±.020 in
ANGLES.....	±1°
SCALE:	1"=3"
DATE:	8/22/2013
DRAFTER:	SRS
CHK BY:	
ENG APP:	
MFG APP:	


AIRE Technologies, Inc.
 1502 Industrial Drive
 E. Monongahela, PA 15063-9709
 Phone (724) 258-0500
 Fax (724) 258-3619

DRAWING NAME: CEILING RADIATION DAMPER DETAIL		
USED ON: 58 SERIES		
DWG. NO.:	REV:	SHEET SIZE:
58 SERIES		B
MAPICS NO.:	SHEET NO.:	
	2 of 4	

THIRD ANGLE PROJECTION 