



# Model 245-SD

Extruded Aluminum Louver

## Specifications

### Application:

The 245-SD stationary, drainable, louver is designed to prevent water penetration in building exterior walls for non-wind-driven rain applications. Water is channeled away from the face of the louver via built-in drain gutters into vertical downspouts that allow the water to drain at the sloped sill.

### Standard Construction:

Material: Mill finish 6063-T5 extruded aluminum  
Frame: Heavy gauge 2" deep x .081" thick  
Blade: 45° drainable .081" thick - spaced 3" apart  
Bird Screen: Expanded metal

### Sizes:

Minimum: 6"W x 6"H  
Single-Section Maximum: 60"W x 96"H  
96"W x 60"H

### Frame Styles:

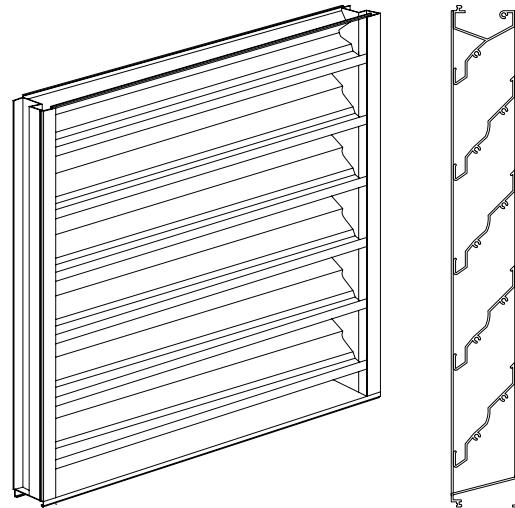
**Standard:** Flush Box - No Flange  
**Optional:** 1½" Bottom Flange Only  
1½" Full Perimeter Flange

### Options:

Insect Screen: Front or Back  
Mounting Sleeves: 8", 10", 12", 14", or 16"

### Note:

All 245-SD Louvers are built ¼" under size both directions unless ordered actual size.



## Frame Styles

